

Parts Listing Teileliste

Liste des pièces Elenco componenti

Part #	English	Deutsch	Français	Italiano
DYNE0570	.21 RTR Engine W/PS	.21 RTR Motor W/PS	Moteur RTR .21 avec cordon de démarrage	Motore W/PS .21 RTR
DYNE0571	.28 RTR Engine W/PS	.28 RTR Motor W/PS	Moteur RTR .28 avec cordon de démarrage	Motore W/PS .28 RTR
DYNE1505	Exhaust Pipe Assembly: .21 8 & .28 8T RTR	Auspuffkit: .21 8 und .28 8T RTR	.21 8 & .28 8T RTR - Échappement	Gruppo marmitta: .21 8 e .28 8T RTR
JSP98010	Standard Switch	Standardschalter	Interrupteur Standard	Interruttore standard
LOS240007	Body, Painted, Nitro: 8IGHT RTR	Karosserie, lackiert, Nitro: 8IGHT RTR	8IGHT RTR - Carrosserie, peinte, Nitro	Carrozzeria, verniciata, nitro: 8IGHT RTR
LOS240008	Body, Painted, Nitro: 8IGHT-T RTR	Karosserie, lackiert, Nitro: 8IGHT-T RTR	8IGHT-T RTR - Carrosserie, peinte, Nitro	Carrozzeria, verniciata, nitro: 8IGHT-T RTR
LOS241013	Chassis: 8IGHT RTR	Chassis: 8IGHT RTR	8IGHT RTR - Châssis	Telaio: 8IGHT RTR
LOS241014	Chassis: 8IGHT-T RTR	Chassis: 8IGHT-T RTR	8IGHT-T RTR - Châssis	Telaio: 8IGHT-T RTR
LOS241015	Engine Mounts: 8IGHT, 8IGHT-T RTR	Motorlager: 8IGHT, 8IGHT-T RTR	8IGHT, 8IGHT-T RTR - Supports moteur	Supporti motore: 8IGHT, 8IGHT-T RTR
LOS242001	Rear Dogbone & Axle Set: 8T 3.0	8T 3.0: Radachse Hinten (2)	8T 3.0 - Tige + axe de cardan arrière (2)	Set giunto cardanico posteriore e asse: 8T 3.0
LOS242012	Spur Gear, 50T: 8IGHT, 8IGHT-T RTR	Stirnradgetriebe, 50T: 8IGHT, 8IGHT-T RTR	8IGHT, 8IGHT-T RTR - Couronne 50T	Ingranaggio cilindrico, 50T: 8IGHT, 8IGHT-T RTR
LOS242013	Front 47T Diff Gear & 12T Pinion: 8IGHT, 8IGHT-T RTR	Front 47T Diff. Getriebe & 12T Ritzel: 8IGHT, 8IGHT-T RTR	8IGHT, 8IGHT-T RTR - Différentiel avant 47T et pignon 12T	Ingranaggio differenziale 47T anteriore e pignone 12T: 8IGHT, 8IGHT-T RTR
LOS242014	Rear 47T Diff Gear & 12T Pinion: 8IGHT, 8IGHT-T RTR	Heck 47T Diff. Getriebe & 12T Ritzel: 8IGHT, 8IGHT-T RTR	8IGHT, 8IGHT-T RTR - Différentiel arrière 47T et pignon 12T	Ingranaggio differenziale 47T posteriore e pignone 12T: 8IGHT, 8IGHT-T RTR
LOS242015	Differential Case & Hardware: 8IGHT, 8IGHT-T RTR	Ausgleichsgehäuse und Bauteile: 8IGHT, 8IGHT-T RTR	8IGHT, 8IGHT-T RTR - Corps de différentiel	Scatola differenziale e accessori: 8IGHT, 8IGHT-T RTR
LOS242016	Center Outdrives: 8IGHT, 8IGHT-T RTR	Mittlere Outdrives: 8IGHT, 8IGHT-T RTR	8IGHT, 8IGHT-T RTR - Noix de cardans centraux	Trascinatori centrali: 8IGHT, 8IGHT-T RTR
LOS242017	Front/Rear Outdrives: 8IGHT, 8IGHT-T RTR	Front/Heck-Outdrives: 8IGHT, 8IGHT-T RTR	8IGHT, 8IGHT-T RTR - Noix de cardans avant/arrière	Trascinatori anteriori/posteriori: 8IGHT, 8IGHT-T RTR
LOS243002	15mm Front Shock Body (2): 8IGHT RTR	15mm Frontstoßdämpfer (2): 8IGHT RTR	8IGHT RTR - Corps d'amortisseurs avant 15mm (2)	Corpo ammortizzatore anteriore 15 mm (2): 8IGHT RTR
LOS243003	15mm Front Shock Body (2): 8IGHT-T RTR	15mm Frontstoßdämpfer (2): 8IGHT-T RTR	8IGHT-T RTR - Corps d'amortisseurs arrière 15mm (2)	Corpo ammortizzatore anteriore 15 mm (2): 8IGHT-T RTR
LOS243004	8T Front, 8 Rear Shock Body (2): 8IGHT, 8IGHT-T RTR	8T Front, 8 Heck Stoßdämpfer (2): 8IGHT, 8IGHT-T RTR	8IGHT, 8IGHT-T RTR - Corps d'amortisseur avant 8T et arrière 8 (2)	Corpo ammortizzatore anteriore 8T, posteriore 8 (2): 8IGHT, 8IGHT-T RTR
LOS243005	Shock Caps (2): 8IGHT, 8IGHT-T RTR	Stoßdämpferkappe (2): 8IGHT, 8IGHT-T RTR	8IGHT, 8IGHT-T RTR - Bouchon d'amortisseurs (2)	Tappi ammortizzatore (2): 8IGHT, 8IGHT-T RTR
LOS244000	Link Set: 8IGHT RTR	Kupplung Set: 8IGHT RTR	8IGHT RTR - Bielles	Set collegamenti: 8IGHT RTR
LOS244001	Link Set: 8IGHT-T RTR	Kupplung Set: 8IGHT-T RTR	8IGHT-T RTR - Bielles	Set collegamenti: 8IGHT-T RTR
LOSA1701	Front Suspension Arm Bushings: 8B, 8T	Buchse für Querlenker vorne: 8B, 8T	8B/8T - Paliers de triangles avant	Boccole braccio sospensione anteriore: 8B, 8T
LOSA1731	Rear Hub Carriers: 8B 2.0	Heck-Radträger: 8B 2.0	8B 2.0 - Porte moyeux arrière	Supporti hub posteriore: 8B 2.0
LOSA1732	Rear Hub Carriers, Aluminum: 8B, 8T 2.0	Heck-Radträger, Aluminium: 8B, 8T 2.0	8B, 8T 2.0 - Porte moyeux arrière alu	Supporti hub posteriore, alluminio: 8B, 8T 2.0
LOSA1750	Sway Bar Set: 8B, 8T	Stabilisator Set: 8B, 8T	8B, 8T - Set de barre anti-roulis	Set barra antitorzione: 8B, 8T
LOSA1751	Sway Bar Set: 8B 2.0	Stabilisator Set: 8B 2.0	8B 2.0 - Set de barre anti-roulis	Set barra antitorzione: 8B 2.0
LOSA3518	Drive Pin Set: 8B/8T	Mitnehmerstift Set: 8B/8T	8B/8T - Goupilles	Set perni trasmissione: 8B/8T
LOSA3522	F/R CV Driveshaft Axles (2): 8B, 8T	F/R CV Achsen der Antriebswellen (2): 8B, 8T	8B, 8T - Axes de cardans av/arr. CV (2)	Assi trasmissione F/R CV (2): 8B, 8T
LOSA3523	F/R CV Driveshaft Coupling Set: 8B, 8T	F/R CV Antriebswellen-Kupplung Set: 8B, 8T	8B, 8T - Coupleurs de cardans av/arr. CV	Set accoppiamento trasmissione F/R CV: 8B, 8T
LOSA3530	Wheel Hexes (Pr) Hard Anodized: 8B, 8T	Rad-Sechskantstücke (Pr) harteloxiert: 8B, 8T	8B, 8T - Hexagone de jantes anodisé dur (Pr)	Esagoni ruote (Pr) anodizzati duri: 8B, 8T
LOSA3531	Wheel Nuts and Pins (4ea): 8B, 8T	Losi Radmutter und Stifte (je 4): 8B/8T	8B, 8T - Ecrous de jantes & goupilles (4ea)	Dadi e perni ruota (4 cadauno): 8B, 8T
LOSA3535	Front/Rear CV Drive Shafts (2): 8B 2.0	Front/Heck CV Antriebswellen (2): 8B 2.0	8B 2.0 - Arbres av/arr.CV (2)	Albero di trasmissione CV anteriore/posteriore (2): 8B 2.0
LOSA3544	Brake Cam Set: 8B, 8T	Bremesnocken Set: 8B, 8T	8B, 8T - Set de came de frein	Set camma freno: 8B, 8T
LOSA3545	Brake Disk Set: 8B 2.0	Bremsscheiben Set: 8B 2.0	8B 2.0 - Set de disque	Set disco freno: 8B 2.0
LOSA3546	Brake Pads & Screws: 8B 2.0	Bremssbeläge & Schrauben: 8B 2.0	8B 2.0 - Plaquettes de frein & écrous	Viti e pastiglie freno: 8B 2.0
LOSA3586	Front/Rear CV Drive Shaft Set (2): 8T 2.0	Front/Heck CV Antriebswelle Set (2): 8T 2.0	8T 2.0 - Set arbre av/arr.CV (2)	Set trasmissione CV anteriore/posteriore (2): 8T 2.0
LOSA4002	Antenna Kit	Antennenkit	Kit antenne	Kit antenna
LOSA4003	Antenna Caps	Antennenkappe	Embouts d'antenne	Tappi antenna
LOSA4406	Steering Bellcrank Plastics & Servo Saver: 2.0	Kunststoffteile des Lenkwinkelhebels & Servo-Saver: 2.0	2.0 - Palonnier de direction, plastics & Sauve servo	Squadrette sterzo plastica e salvaservo: 2.0
LOSA4408	Steering Post Set: 8B, 8T	Lenksäule Set: 8B, 8T	8B, 8T - Set de pivot de direction	Set comandi sterzo: 8B, 8T
LOSA4412	Steering Rack Set, Short/Long: 8B 2.0	Losi Lenkhebel kurz/lang: 8B 2.0	8B 2.0 - Barre de direction, Short/Long	Cremaagliera sterzo, corta/lunga: 8B 2.0
LOSA4413	Front Chassis Brace Set: 8B, 8T	Front-Chassis-Strebe Set: 8B, 8T	8B, 8T - Châssis entretoises av.	Set trapezio anteriore: 8B, 8T
LOSA4414	Rear Chassis Brace: 8B, 8T	Heck-Chassis-Strebe Set: 8B, 8T	8B, 8T - Châssis entretoise arr.	Trapezio posteriore: 8B, 8T
LOSA4419	Switch Cover & Foam Pad: 8B, 8T	Schalterabdeckung & Schaumstoffunterlage: 8B, 8T	8B, 8T - Capot d'inter. étanche	Copertura interruttore e gomma: 8B, 8T
LOSA4420	Center Differential Mount & Brace Set: 8B 2.0	Mittleres Differentialgetriebe, Set mit Halterungen & Spreize: 8B 2.0	8B 2.0 - Support de diff cent. & entretoises	Set supporti diff. e tutori: 8B 2.0
LOSA4422	FR Bumper, Tank, Filter Guard: 8B, 8T	FR Dämpfer, Tank, Filterschutz: 8B, 8T	8B, 8T - Pare choc av, réservoir, protection de filtre	Paraurti anteriore, serbatoio, protezione filtro: 8B, 8T
LOSA4424	Body Posts & Tank Mounts: 8B, 8T	Karosseriestifte & Tankhalterungen: 8B, 8T	8B, 8T - Plots de carrosserie & support de réservoir	Supporti carrozzeria e supporti serbatoio: 8B, 8T
LOSA4431	Hinge Pin Brace Cover Set: 8B, 8T	Hinge Pin Brace Cover Set: 8B, 8T	8B, 8T - Support d'axes	Set protezioni piastrine: 8B, 8T
LOSA4432	Chassis Guard Set: 8B 2.0	Chassis-Seitenschutz Set: 8B 2.0	8B 2.0 - Protection de châssis	Set protezione telaio: 8B 2.0
LOSA4435	Wing Mount Set: 8B, 8T	Flügelhalterung Set: 8B, 8T	8B, 8T - Support d'aileron	Set supporto alettone: 8B, 8T
LOSA4451	Rear Gear Box Set Locking Inserts: 8B 2.0	Getriebegehäuse hinten Locking Inserts: 8B 2.0	8B 2.0 - Carter de différentiel arr. Locking Inserts	Set scatola ingran. poster. Locking Inserts: 8B 2.0
LOSA4452	Gear Box Shims (20): 8B 2.0	Getriebebox-Unterlegscheiben (20): 8B 2.0	8B 2.0 - Rondelles de calage (20)	Spessori cellula (20): 8B 2.0
LOSA4453	Chassis Spacer/Cap Set: 8B 2.0	Chassis Spreizer/Kappe Set: 8B 2.0	8B 2.0 - Set entretoise/bouchon châssis	Set distanziale telaio/tappi: 8B 2.0
LOSA5411	15mm Shock Shaft, 4mm x 50mm, TiNi (1): 8B, 8T	8B, 8T: Kolbenstange Vorne 4mm x 50mm TiNi (1)	8B, 8T - Tige d'amortisseur avant en titane 4x50mm (1)	15mm alberino ammortizz., 4mm x 50mm, TiNi (1): 8B, 8T
LOSA5413	15mm Shock Shaft, 4mm x 57mm, TiNi (1): 8B, 8T	8B, 8T: Kolbenstange Vorne 4mm x 57mm TiNi (1)	8B, 8T - Tige d'amortisseur avant en titane 4x57mm (1)	15mm alberino ammortizz., 4mm x 57mm, TiNi (1): 8B, 8T
LOSA5429	Shock O-ring Set: 8B 8T	Stoßdämpfering Set: 8B, 8T	8B 8T - Set de joints torique amortisseur	Set o-ring ammortizzatori: 8B, 8T
LOSA5430	15mm Shock Bladders: 8B, 8T	8B, 8T: 15mm Dämpfermembrane	8B, 8T - Membranes d'amortisseurs	15mm vesciche ammortizz.: 8B, 8T
LOSA5435	15mm Shock Ends, Cups, Bushing: 8B 2.0	15mm Stoßdämpferendstücke, Cups, Lager: 8B 2.0	8B 2.0 - 15mm Chape d'amortisseur, coupelles, bagues	Boccole, terminali, coppe ammortizzatore 15 mm: 8B 2.0
LOSA5438	Shock Stand-Off Set (2): 8B, 8T	Stoßdämpfer Stand-Off Set (2): 8B, 8T	8B, 8T - Entretoises d'amortisseurs (2)	Set stand-Off ammortizzatore (2): 8B, 8T
LOSA5440	15mm Shock Piston/Guide Set: 8B, 8T	Kolbenplatte und Gleitbuchse Set für 15mm Stoßdämpfer: 8B, 8T	8B, 8T - Piston/Guide amortisseur 15mm	Set piattelli e pistoni ammortizzatore 15 mm: 8B, 8T
LOSA5451	15mm Springs 2.3" x 4.4 Rate, Silver: 8B	15mm Federn 58,4 mm (2,3 Zoll) x 4,4 Rate, Silber: 8B	8B - Ressorts 15mm dureté 2,3 x 4,4, argent	Molle 2,3" 15 mm x rigidezza 4,4, argento: 8B
LOSA5458	15mm Springs 3.1" x 3.1 Rate, Green: 8B	15mm Federn 78,7 mm (3,1 Zoll) x 3,1 Rate, Grün: 8B	8B - Ressorts 15mm dureté 3,1 x 3,1, vert	Molle 3,1" 15 mm x rigidezza 3,1, verde: 8B
LOSA5459	15mm Springs 3.1" x 3.4 Rate, Black: 8B	15mm Federn 3,1" x 3,4 Rate, Schwarz: 8B	8B - Ressorts 15mm dureté 3,1" x 3,4, noir	Molle 3,1" 15 mm x rigidezza 3,4, nero: 8B
LOSA5461	15mm Springs 3.1" x 4.0 Rate, Gray	15mm Federn 3,1" x 4,0 Rate, Grau	Ressorts 15mm dureté 3,1" x 4,0, gris	Molle 3,1" 15 mm x rigidezza 4,0, grigio
LOSA6044	HD Rod Ends & Balls: 8B, 8T	HD Spurstangenköpfe & Kugeln: 8B, 8T	8B, 8T - Billes de suspension 8,8mm flasqué	Uniball e tirante sterzo: 8B, 8T

Parts Listing Teileliste

Liste des pièces Elenco componenti

Part #	English	Deutsch	Français	Italiano
LOSA6045	HD Steering Link Set: 8B 2.0	HD Lenkkupplung Set: 8B 2.0	8B 2.0 - Tringlerie de direction renf.	Set collegamenti sterzo HD: 8B 2.0
LOSA6048	Suspension Balls 8.8mm Flanged: 8B, 8T	Achsaufhängungskugeln 8,8mm geflanscht: 8B, 8T	8B, 8T - Billes de suspension 8,8mm flasqué	Sfere sospensioni flangiate 8,8 mm: 8B, 8T
LOSA6049	Suspension Balls 8.8mm: 8B, 8T	Achsaufhängungskugeln 8,8mm: 8B, 8T	8B, 8T - Billes de suspension 8,8mm	Sfere sospensioni 8,8 mm: 8B, 8T
LOSA6050	Steering Ball Set 6.8mm: 8B, 8T	Lenkkugel Set 6,8 mm: 8B, 8T	8B, 8T - Billes de direction 6,8mm	Set sfere sterzo 6,8 mm: 8B, 8T
LOSA6056	Suspension Balls 6.8mm: 8B 2.0	Achsaufhängungskugeln 6,8mm: 8B 2.0	8B 2.0 - Billes de suspension 6,8mm	Sfere sospensioni 6,8 mm: 8B 2.0
LOSA6109	5mm E-Clips (12)	5mm E-Clips (12)	E-Clips 5mm (12)	E-clips 5 mm (12)
LOSA6201	3mm x 6mm Socket Head Screw	3mm x 6mm Zoll Innensechskantschraube	Vis CHC 3mm x 6mm	Vite a brugola 3mm x 6mm
LOSA6204	4-40 x 1/2" Socket Head Screw	4-40 x 1/2 Zoll Innensechskantschraube	Vis CHC 4-40 x 1/2"	Vite a brugola 4-40 x 1/2"
LOSA6206	4-40 x 3/8" Socket Head Screws (10)	4-40 x 3/8 Zoll Innensechskantschrauben (10)	Écrous SH 4-40 x 3/8" (10)	Viti 4-40 x 3/8" (10)
LOSA6210	4-40 x 3/8" Flat Head Socket	4-40 x 3/8 Zoll Zylinderkopfbuchse	Vis tête plate 4-40 x 3/8"	Vite a testa piatta 4-40 x 3/8"
LOSA6215	#4 Narrow Washers (10)	#4 Schmale Unterlegscheiben (10)	Rondelles étroites #4 (10)	#4 Rondelle strette (10)
LOSA6221	4-40 x 5/8" Cap Screws	Socket 4-40 x 5/8 Zoll Kopfschrauben	Vis CHC 4-40 x 5/8"	Viti a brugola 4-40 x 5/8"
LOSA6227	Hardened Setscrews, 4-40	Gehärtete Gewindestifte, 4-40	Vis durcies 4-40	Grani induriti, 4-40
LOSA6228	Hardened Setscrews, 5-40	Gehärtete Gewindestifte, 5-40	Vis durcies 5-40	Grani induriti, 5-40
LOSA6240	5-40 x 1/2 Caphead Screw (8)	5-40 x 1/2 Zoll Kopfschraube (8)	Vis CHC 5-40 x 1/2 (8)	Viti a brugola 5-40 x 1/2 (8)
LOSA6245	4-40 x 5/16" Button Head Screws	4-40 x 5/16 Zoll Halbrundschraben	Vis tête bombée 4-40 x 5/16"	Viti a testa tonda 4-40 x 5/16"
LOSA6246	2-56 x 5/8" Caphead Screw (8)	2-56 x 5/8 Zoll Kopfschraube (8)	Vis CHC 2-56 x 5/8 (8)	Viti a brugola 2-56 x 5/8 (8)
LOSA6251	5-40 x 3/16" Setscrew (10)	5-40 x 3/16 Zoll Gewindestifte mit Innensechskant-10	Vis pointeau bout plat 5-40 x 3/16" (10)	Grani a punta piana 5-40 x 3/16" (10)
LOSA6255	2-56 x 1/4" Button Head Screws (10)	2-56 x 1/4 Zoll Halbrundschraben (10)	Vis tête bombée 2-56 x 1/4" (10)	Viti a testa tonda 2-56 x 1/4" (10)
LOSA6256	4-40 x 1/2" Button Head Cap Screw (6)	4-40 x 1/2 Zoll Halbrundkopfschrauben (6)	Vis tête bombée 4-40 x 1/2" (6)	Viti a testa tonda 4-40 x 1/2" (6)
LOSA6262	8-32 x 1/2" FH Screws (10)	8-32 x 1/2 Zoll Flachkopfschrauben (10)	Vis tête plate 8-32 x 1/2" (10)	Viti a testa piatta 8-32 x 1/2" (10)
LOSA6263	8-32 x 3/4" BH Screws (8)	8-32 x 3/4 Zoll Halbrundschraben (8)	Vis tête bombée 8-32 x 3/4" (8)	Viti a testa tonda 8-32 x 3/4" (8)
LOSA6264	8-32 x 3/8" FH Screws (8)	8-32 x 3/8 Zoll Flachkopfschrauben (8)	Vis tête plate 8-32 x 3/8" (8)	Viti a testa piatta 8-32 x 3/8" (8)
LOSA6266	8-32 x 5/8" BH Screws	8-32 x 5/8 Zoll Halbrundschraben	Vis tête bombée 8-32 x 5/8"	Viti a testa tonda 8-32 x 5/8"
LOSA6270	5-40 x 3/8" Flat Head Screws (10)	5-40 x 3/8 Zoll Zylinderkopfbuchse (10)	Vis tête plate 5-40 x 3/8" (10)	Viti a testa piatta 5-40 x 3/8" (10)
LOSA6271	5-40 x 1/2" FH Screws (10)	5-40 x 1/2 Zoll Flachkopfschrauben (10)	Vis tête plate 5-40 x 1/2" (10)	Viti a testa piatta 5-40 x 1/2" (10)
LOSA6272	5-40 x 3/4" FH Screws (10)	5-40 x 3/4 Zoll Flachkopfschrauben (10)	Vis tête plate 5-40 x 3/4" (10)	Viti a testa piatta 5-40 x 3/4" (10)
LOSA6273	5-40 x 7/8" FH Screws (4)	5-40 x 7/8 Zoll Flachkopfschrauben (4)	Vis tête plate 5-40 x 7/8" (4)	Viti a testa piatta 5-40 x 7/8" (4)
LOSA6274	5-40 x 1 7/8" FH Screws (2)	5-40 x 1 7/8 Zoll Flachkopfschrauben (2)	Vis tête plate 5-40 x 1 7/8" (2)	Viti a testa piatta 5-40 x 1 7/8" (2)
LOSA6275	5-40 X 5/8" Flat Head Screws (10)	5-40 x 5/8 Zoll Zylinderkopfbuchse (10)	Vis tête plate 5-40 x 5/8" (10)	Viti a testa piatta 5-40 X 5/8" (10)
LOSA6277	5-40 x 3/8" BH Screws (8)	5-40 x 3/8 Zoll Halbrundschraben (8)	Vis tête bombée 5-40 x 3/8" (8)	Viti a testa tonda 5-40 x 3/8" (8)
LOSA6278	5-40 x 1/2" BH Screws (8)	5-40 x 1/2 Zoll Halbrundschraben (8)	Vis tête bombée 5-40 x 1/2" (8)	Viti a testa tonda 5-40 x 1/2" (8)
LOSA6279	5-40 x 3/4" BH Screws (8)	5-40 x 3/4 Zoll Halbrundschraben (8)	Vis tête bombée 5-40 x 3/4" (8)	Viti a testa tonda 5-40 x 3/4" (8)
LOSA6280	5-40 x 1" BH Screws (4)	5-40 x 1 Zoll Halbrundschraben (4)	Vis tête bombée 5-40 x 1" (8)	Viti a testa tonda 5-40 x 1" (4)
LOSA6281	5-40 x 20mm Button Head Screws (10)	5-40 x 20 mm Halbrundschraben (10)	Vis tête bombée 5-40 x 20mm (10)	Viti a testa tonda 5-40 x 20 mm (10)
LOSA6282	5-40 x 7/8" BH Screws	5-40 x 7/8 Zoll Halbrundschraben	Vis tête bombée 5-40 x 7/8"	Viti a testa tonda 5-40 x 7/8"
LOSA6284	5-40 x 20mm BHS, Left Hand Thread, 8B	Losi 5-40 x 20mm Rundkopfschrauben Linksgewinde (10)	8B - Vis CHC à pas inversé 5-40 x 20mm	Viti a testa bombata 5-40 x 20 mm, filetto LH, 8B
LOSA6296	8-32 x 1/8" Flat Point Setscrew (8)	8-32 x 1/8 Zoll Gewindestifte mit Innensechskant-8	Vis pointeau bout plat 8-32 x 1/8" (8)	Grani a punta piana 8-32 x 1/8" (8)
LOSA6297	5-40 x 1/8" Flat Point Setscrew (8)	5-40 x 1/8 Zoll Gewindestifte mit Innensechskant-8	Vis pointeau bout plat 5-40 x 1/8" (8)	Grani a punta piana 5-40 x 1/8" (8)
LOSA6298	8-32 x 1/8" Cup Point Setscrew (8)	8-32 x 1/8 Zoll Feststellschraube-8	Vis pointeau coupelle 8-32 x 1/8" (8)	Grani a punta a coppa 8-32 x 1/8" (8)
LOSA6302	5-40 Locking Nuts, Steel	5-40 Sicherungsmuttern, Stahl	Écrou auto-freiné acier 5-40	Dadi autobloccanti 5-40, acciaio
LOSA6306	4-40 Aluminum Mini-Nuts (10)	4-40 Aluminium Minimuttern (10)	Mini-écrous alu 4-40 (10)	Mini dadi in alluminio 4-40 (10)
LOSA6311	8-32 Steel Lock Nuts (10)	8-32 Stahlgegenmutter (10)	Écrou auto-freiné acier 8-32 (10)	Dadi autobloccanti in acciaio 8-32 (10)
LOSA6350	#4 and 1/8" Hardened Washers	#4 und 1/8 Zoll Gehärtete Unterlegscheiben	Rondelles durcies #4 et 1/8"	#4 Rondelle indurite 1/8"
LOSA6351	#8 Countersink Washers (8)	#8 Unterlegscheiben, versenkt (8)	Rondelles à tête fraisée #8 (8)	#8 Rondelle svasate (8)
LOSA6937	5x10mm Shielded Ball Bearing (2)	5x10mm Kugellager mit Staubschutzscheibe (2)	Roulements épaulés 5 x 10mm (2)	Cuscinetti a sfera schermati 5x10 mm (2)
LOSA6942	8x16mm Sealed Ball Bearing (4)	8x16 Kugellager mit Gummiabdeckung (4)	Roulements étanches 8x16 (4)	Cuscinetti a sfera sigillati in gomma 8x16 (4)
LOSA6945	8x14x4 Rubber Sealed Ball Bearing (4)	8x14x4 Kugellager mit Gummiabdeckung (4)	Roulements étanches 8x14x4 (4)	Cuscinetti a sfera sigillati in gomma 8x14x4 (4)
LOSA6946	6x10x3 Rubber Sealed Ball Bearing (4)	6x10x3 Kugellager mit Gummiabdeckung (4)	Roulements étanches 6x10x3 (4)	Cuscinetti a sfera sigillati in gomma 6x10x3 (4)
LOSA6947	5x11x4 Rubber Sealed Ball Bearing (4)	5x11x4 Kugellager mit Gummiabdeckung (4)	Roulements étanches 5x11x4 (4)	Cuscinetti a sfera sigillati in gomma 5x11x4 (4)
LOSA6948	8x14x4 Flanged Rubber Seal Ball Bearing (4)	8x14x4 geflanschte Kugellager mit Gummiabdeckung (4)	Roulement a billes étanches 8x14x4 (4)	Cuscinetti a sfera sigillati flangiati in gomma 8x14x4 (4)
LOSA6949	Clutch Bearing Set: 8B,8T	Kupplungslager Set: 8B,8T	8B, 8T - Roulements de cloche	Set cuscinetti frizione: 8B, 8T
LOSA6953	1/2 x 3/4 Rubber Sealed Ball Bearing	1/2 x 3/4 Kugellager mit Gummiabdeckung	Roulements étanches 1/2 x 3/4	Cuscinetto a sfera sigillato in gomma 1/2 x 3/4
LOSA6955	5 x 13mm HD Clutch Bearings (2): 8B, 8T	5 x 13mm Kugellager (2): 8B, 8T	8B, 8T - Roulement embrayage renforcé 5 x 13mm (2)	Cuscinetti frizione HD 5 x 13 mm (2): 8B, 8T
LOSA6956	12 x 18 x 4mm Ball Bearing (2)	12 x 18 x 4mm Kugellager (2)	Roulements 12 x 18 x 4mm (2)	Cuscinetto a sfera 12 x 18 x 4mm (2)
LOSA8130	Wing, Black 8B, 8T	Flügel, Black 8B, 8T	8B, 8T - Aileron noir	Alettone, nero 8B, 8T
LOSA9103	Clutch Nut & Hardware, 4 Shoe: 8B, 8T	Kupplungsmutter & Teile, 4 Bremsbacken: 8B, 8T	8B, 8T - Écrou de cloche & visserie, 4 masselottes	Dado frizione con accessori, 4 ceppi: 8B, 8T
LOSA9105	Flywheel & Collet, Aluminum: 8B 2.0	Schwungradscheibe & Zwing, Aluminium: 8B 2.0	8B 2.0 - Volant d'embrayage & cône, alu	Volano e pinza, alluminio: 8B 2.0
LOSA9106	Clutch Pins & Hardware: 8B 2.0	Kupplungsstifte & Teile: 8B 2.0	8B 2.0 - Goupilles cloche & visserie	Perni frizione con accessori: 8B 2.0
LOSA9107	Clutch Shoes (2) Composite: 8B, 8T	Kupplungsbacken (2) Kompositwerkstoff: 8B, 8T	8B, 8T - Cloche masselottes (2) Composite	Ceppi frizione compositi (2): 8B, 8T
LOSA9112	Clutch Springs, Black (4): 8B, 8T	Kupplungsfedern, Schwarz (4): 8B, 8T	8B, 8T - Ressorts d'embrayage, noir (4)	Molle frizione, nero (4): 8B, 8T
LOSA9113	Clutch Springs, Green (4): 8B, 8T	Kupplungsfedern, Grün (4): 8B, 8T	8B, 8T - Ressorts d'embrayage, vert (4)	Molle frizione, verde (4): 8B, 8T
LOSA9114	Clutch Springs, Gold (4): 8B, 8T	Kupplungsfedern, Gold (4): 8B, 8T	8B, 8T - Ressorts d'embrayage, doré (4)	Molle frizione, oro (4): 8B, 8T
LOSA9115	Clutch Springs, Silver (4): 8B, 8T	Kupplungsfedern, Silber (4): 8B, 8T	8B, 8T - Ressorts d'embrayage, argenté (4)	Molle frizione, argento (4): 8B, 8T
LOSA9116	Clutch Bell, 13T: 8B, 8T	Kupplungsglocke, 13T: 8B, 8T	8B, 8T - Cloche d'embrayage renforcée 13T	Campana frizione 13T: 8B, 8T
LOSA9121	Clutch Bell, 17T: 8B, 8T	Kupplungsglocke, 17T: 8B, 8T	8B, 8T - Cloche d'embrayage renforcée 17T	Campana frizione 17T: 8B, 8T
LOSA9150	Air Filter Set: 8B, 8T	Luftfilter Set: 8B, 8T	8B, 8T - Set filtre à air	Set filtro aria: 8B, 8T
LOSA9151	Air Filter Foams, Pre-Oiled: 8B, 8T	Luftfilter Schaumstoffe, Vorgeölt: 8B, 8T	8B, 8T - Mousse filtre à air, Pré-huilé	Spugna filtro aria, preoliata: 8B, 8T
LOSA9158	Fuel Tank: 8T 2.0	Kraftstofftank: 8T 2.0	8T 2.0 - Réservoir carburant	Serbatoio: 8T 2.0
LOSA9162	Fuel Tank: 8B 2.0	Kraftstofftank: 8B 2.0	8B 2.0 - Réservoir carburant	Serbatoio: 8B 2.0
LOSA9163	Fuel Tank Cap, Spring & Seal: 8B 2.0	Tankverschluss, Feder & Dichtung: 8B 2.0	8B 2.0 - Bouchon, ressort & joint de réservoir	Tappo serbatoio, molla e guarnizione: 8B 2.0
LOSA9164	EFRA Fuel Tank Kit: 8B/8T 2.0	EFRA Kraftstoffbehälter Kit: 8B/8T 2.0	8B/8T 2.0 - Kit réservoir EFRA	Kit serbatoio EFRA: 8B/8T 2.0
LOSA9165	Tuned Pipe Mount & Hardware: 8B,8T	Getunte Rohrhalterung & Teile: 8B,8T	8B, 8T - Support résonateur & visserie	Supporto scarico marmitta con accessori: 8B,8T

Parts Listing Teileliste

Liste des pièces Elenco componenti

Part #	English	Deutsch	Français	Italiano
LOSA9168	Throttle/Brake Link Set: 8B 2.0	Drossel/Bremskupplung Set: 8B 2.0	8B 2.0 - Biellettes gaz/frein	Set collegamenti motore/freno: 8B 2.0
LOSA92203	Hinge Pin Brace Set: 8 RTR	Querlenkerhalter: 8 RTR	8 RTR - Jeu cales de pincement	Guida perno cerniera: 8 RTR
LOSA9315	Fuel Tubing (24")	Kraftstoffleitung (60,9 cm, 24 Zoll)	Durite (24")	Tubo miscela (24")
LOSA17701B	1/8 XTT Truggy Tire, Bl, Mntd, w/White Wheel, 0 Offset (2)	1/8 XTT Truggy Reifen verklebt weiße Felge 0 Offset blaue Mischung	Pneus 1/8 XTT truggy noirs, montés avec jantes blanches, 0 Offset (2)	Pneumatico truggy 1/8 XTT nero, premontato con ruota bianca, offset 0 (2)
LOSA99040	Metal Servo Arm Insert, 23S Spline, Airtronics (2)	Metall Servo-Armeinsatz, 23S Korbverzahnung, Airtronics (2)	Insert 23s Airtronics pour bras de servo métal (2)	Inseri metallici squadretta servo, 23 scanalature, Airtronics (2)
LOSB2831	Rear Shock Shafts (2): 8RTR	Dämpferkolbenstange, hinten (2): 8RTR	8 RTR - Tiges d'amortisseurs arr. (Pr)	Steli ammortizzatori posteriori (2): 8RTR
LOSB2832	Rear Shock Shafts: 8T 2.0 RTR	Dämpferkolbenstange, hinten: 8T 2.0 RTR	8T 2.0 RTR - Tiges d'amortisseurs arr.	Steli ammortizzatori posteriori: 8T 2.0 RTR
LOSB4106	Hinge Pin Set: 8 RTR	Hinge Pins: 8 RTR	8 RTR - Axes de suspension en Titane	Perni cerniera: 8 RTR
LOSB5004	Fuel Tank Lid Pull: 8T 2.0 RTR	Kraftstofftankklappenzug: 8T 2.0 RTR	8T 2.0 RTR - Ouverture rapide de réservoir	Coperchio a molla per serbatoio: 8T 2.0 RTR
SPMS605	9KG Servo, WP, Metal 23T	9KG WP-Metall-Servo 23T	Servo 9kg à pignons métal, étanche, 23T	Servo 9 KG, WP, metallo 23T
SPMSR310	SR310 DSMR 3 Ch Sport Receiver	SR310 3-Kanal DSMR-Sportempfänger	Récepteur SR310 3 voies DSMR	Ricevente sport SR310 3 canali
SPMSS6100	S6100 High Voltage Surface Servo - Torque	S6100 HV Servo, Torque	Servo surface S6100 haute tension - Couple	Servo superficie S6100 alto voltaggio - torque
TLR234008	Front/Rear Hinge Pin Brace: 22/2.0/T/SCT	Front/Heck Scharnierbolzenstrebe: 22/2.0/T/SCT	22/2.0/T/SCT - Renfort de cellule av/arr	Set piastrine anteriori/posteriori: 22/2.0/T/SCT
TLR340008	Cab Forward Body, Clear: 8IGHT 4.0	Kabine, vordere Karosserie, klar: 8IGHT 4.0	8IGHT 4.0 - Carrosserie "Cab Forward", transparente	Carrozzeria Cab-Forward, trasparente: 8IGHT 4.0
TLR240009	Body Set, Clear: 8T 3.0 & 4.0	Karosserie Set, Klar: 8T 3.0 & 4.0	8T 3.0 & 4.0 - Carrosserie	Set carrozzeria, trasparente: 8T 3.0 & 4.0
TLR242001	Front Center Dogbone: 8IGHT Buggy 3.0	Front/Mittel-Dogbone: 8IGHT Buggy 3.0	8B 3.0 - Cardan central avant	Cardano centrale anteriore: 8IGHT Buggy 3.0
TLR242002	Center Dogbone: 8B 3.0 (rear), 8E 3.0 (front)	Mittel-Dogbone: 8B 3.0 (Heck), 8E 3.0 (Front)	8B 3.0 (arrière), 8E 3.0 (avant) - Cardan central	Cardano centrale: 8B 3.0 (posteriore), 8E 3.0 (anteriore)
TLR242003	Coupler Outdrive: 8IGHT Buggy 3.0	Kupplungsoutdrive 8IGHT Buggy 3.0	8B 3.0 - Noix d'accouplement de cardan	Accoppiatore trascinatore: 8IGHT Buggy 3.0
TLR242013	Front and Rear Gear Box Set: ALL 8IGHT	Front und Heck GetriebeboxSet: ALL 8IGHT	8IGHT - Set de cellules av et arr	Set cellula posteriore e anteriore: ALL 8IGHT
TLR244000	Front Suspension Arm Set: 8IGHT Buggy 3.0	Vorderradaufhängungsarm Set: 8IGHT Buggy 3.0	8B 3.0 - Set de bras de suspension avant	Set braccetti sospensioni anteriori: 8IGHT Buggy 3.0
TLR244001	Front Suspension Arm Bushing (4): 8IGHT Buggy 3.0	Vorderradaufhängungsbuchse Set (4): 8IGHT Buggy 3.0	8B 3.0 - Set de paliers de bras de suspension avant	Set boccole sospensioni anteriori (4): 8IGHT Buggy 3.0
TLR244003	Front Spindle Set: 8IGHT Buggy 3.0	Hauptspindel Set: 8IGHT Buggy 3.0	8B 3.0 - Set de fusées avant	Fusello anteriore: 8IGHT Buggy 3.0
TLR244004	Front Spindle Carrier, 15 Degree: 8IGHT Buggy 3.0	Hauptspindelträger, 15 Grad: 8IGHT Buggy 3.0	8B 3.0 - Étrier porte fusée avant, 15°	Portafusello anteriore, 15 gradi: 8IGHT Buggy 3.0
TLR244005	Steering Rack Set w/Bearings, Short/Long: 8B 3.0	Zahnstange Set mit Lagern, Kurz/Lang: 8B 3.0	8B 3.0 - Renvois de direction, courts/longs avec roulements	Cremagliera sterzo con cuscinetti, corta/lunga: 8B 3.0
TLR244007	Hinge Pins, 4 x 21mm, TiCn (2): 8IGHT Buggy 3.0	Scharnierstifte, 4 x 21 mm, TiCn (2): 8IGHT Buggy 3.0	8B 3.0 - Axes en titane 4 x 21mm (2)	Perni braccetti, 4 x 21 mm, TiCn (2): 8IGHT Buggy
TLR244008	Rear Suspension Arm Set: 8IGHT Buggy 3.0	Hinterradaufhängungsarm Set: 8IGHT Buggy 3.0	8B 3.0 - Set de bras de suspension arrière	Set braccetti sospensioni posteriori: 8IGHT Buggy 3.0
TLR244011	Hinge Pins, 4 x 66mm, TiCn (2): 8IGHT Buggy 3.0	Scharnierstifte, 4 x 66 mm, TiCn (2): 8IGHT Buggy 3.0	8B 3.0 - Axes de suspension en titane 4 x 66mm (2)	Perni braccetti, 4 x 66 mm, TiCn (2): 8IGHT Buggy
TLR244012	Outer Hinge Pins, 3.5mm (2): 8IGHT Buggy 3.0	Außenscharnierstifte, 3,5 mm (2): 8IGHT Buggy 3.0	8B 3.0 - Axes de suspension extérieurs, 3,5mm (2)	Perni braccetti esterni, 3,5 mm (2): 8IGHT Buggy 3.0
TLR244017	Front Suspension Arm Set: 8T 3.0/2.0	Querlenkersatz vorne: 8T 3.0/2.0	8T 2.0/3.0 - Triangles de suspension avant	Set bracci sosp. anter.: 8T 3.0/2.0
TLR244018	Rear Suspension Arm Set: 8T 3.0/2.0	Querlenkersatz hinten: 8T 3.0	8T 2.0/3.0 - Triangles de suspension arrière	Set bracci sosp. poster.: 8T 3.0/2.0
TLR244019	Front Shock Tower, Alum: 8T 3.0	Dämpferbrücke vorne Aluminium: 8T 3.0	8T 3.0 - Support d'amortisseurs avant en alu	Torre ammort. anter., allum.: 8T 3.0
TLR245000	Droop Screw (4): 8B 3.0	Einsenkverschraubung (4): 8B 3.0	8B 3.0 - Vis de butée de suspension (4)	Viti del droop (4): 8B 3.0
TLR342002	Rear Dogbone & Axle Set: 8IGHT Buggy 3.0	Heck-Dogbone & Achse Set: 8IGHT Buggy 3.0	8B 3.0 - Cardans et axes arrières (2)	Set cardano e giunto posteriore: 8IGHT Buggy 3.0
TLR44000	1/8 Buggy Dish Wheel, Yellow (4): 8IGHT Buggy 3.0	1/8 Buggy Tellerschleibe, Gelb (4): 8IGHT Buggy 3.0	8B 3.0 - Jantes pleines Buggy, jaunes (4)	Cerchione 1/8 Buggy, giallo (4): 8IGHT Buggy 3.0
TLR4401	Radio Tray, Gen III: 8B/T	Radioplatte, Gen III: 8B/T	8B/8T Gen III - Platine radio	Piastra radio, Gen III: 8B/T
TLR4403	J Nut, Gen III Radio Tray (2): 8B/T	J Mutter, Gen III Radioplatte (2): 8B/T	8B/8T Gen III - Fixations J pour platine radio (2)	Dado a J, piastra radio Gen III (2): 8B/T
TLR4406	Throttle Tri-Horn, Gen III Radio Tray: 8B/T	Drossel Tri-Horn, Gen III Radioplatte: 8B/T	8B/T - Palonnier de gaz triple, Platine radio Gen III	Squadretta motore a 3 bracci, piastra radio Gen III: 8B/T
TLR6019	Ballstud/Hub Spacer Set, Aluminum: 22	Kugelbolzen/Abstandsstück, Aluminium: 22	22 - Rotules à visser et entretoises	Rondelle hub, alluminio: 22
TLR8200	Body Washer: 8IGHT 2.0	Karosserieunterlegscheibe: 8IGHT 2.0	8IGHT 2.0 - Rondelles de carrosserie	Rondella carrozzeria: 8IGHT 2.0
TLR8202	Body Clips, Black (12): 22	TLR Bodyclips, schwarz (12): 22	22 - Clips à carrosserie, noir (12)	Clips carrozzeria, nero (12): 22

Optional Parts Optionale Bauteile

Pièces optionnelles Pezzi opzionali

Part #	English	Deutsch	Français	Italiano
DYN1419	7.4V 2000mAh 2S 5C LiPo Receiver Pack: 1/8	Dynamite 2S 7,4V 2000mAh 5C LiPo-Empfängerakku: 1/8	Batterie Li-Po réception 2S 7.4V 20 000mA 5C pour 1/8	Pacco batteria LiPo per ricevente 5C 7,4 V 2S 20000 mAh: 1/8
DYN2000	Turbo Fueler Bottle, 500cc	Dynamite Schnelltankflasche 500ccm	Pipette de remplissage Turbo, 500cc	Confazione Turbo Fueler, 500 cc
DYN2517	Body Scissors: Curved/Straight	Dynamite Lexanschere halb gebogen	Ciseaux à lexan : courbé/droit	Forbici per carrozzeria: curve/diritte
DYN9905	Dynamite Surface Pit Mat	Dynamite Arbeitsunterlage	Tapis de stand Dynamite	Tappetino per manutenzione Dynamite
DYNT2000	Machined Nut Driver Set (4 pc) US	Steckschlüsselset 4 Stück Zoll	Set de Tournevis usinés p/écrous 6 pans US (4 pc)	Set chiavi dadi fresata (4 pc) US
DYNT2020	Machined Hex Driver Set (4) US	Alu Inbusschlüssel US 4 Stück	Set de Tournevis usinés Hexag (4) US	Set chiavi esagonale fresata
DYNT2113	Suspension Arm Reamer 4mm	Reibaale für Querlenker 4mm	Alésoir de triangle de suspension 4mm	Alesatore bracci sospensione 4mm
DYNH1020	Stainless Steel Screw Set: TLR 8ight 3.0 buggy	Edelstahlschraube Set: TLR 8ight 3.0 buggy	TLR 8ight 3.0 - Kit de visserie acier inox	Set viti in acciaio inox: TLR 8ight 3.0 buggy
LOSA1754	Adjustable Front Hinge Pin Brace w/Inserts: 8B/8T	Einstellbare Front-Scharnierbolzenstrebe mit Einsätzen: 8B/8T	8B/8T - Support d'axes avant réglable avec mousses	Set piastrine regolabili anteriori con inserti: 8B/8T
LOSA1755	Adjustable Rear Hinge Pin Brace w/Inserts: 8B/8T	Einstellbare Heck-Scharnierbolzenstrebe mit Einsätzen: 8B/8T	8B/8T - Support d'axes arr. réglable avec mousses	Set piastrine regolabili posteriori con inserti: 8B/8T
LOSA1756	Adjustable Hinge Pin Brace Inserts: 8B/8T	Einsätze für einstellbare Scharnierbolzenstrebe: 8B/8T	8B/8T - Inserts mousse support réglable d'axes	Set inserti per piastrine regolabili: 8B/8T
LOSA1759	LRC Adj Rear Hinge Pin Brace w/Inserts: 8B/T 2.0	LRC Einstellbare Heck-Scharnierbolzenstrebe mit Einsätzen: 8B/T 2.0	8B/T 2.0 - Cales de pincement ajustables avec inserts	Set piastrine regolabili posteriori LRC con inserti: 8B/T 2.0
LOSA3532	Wheel Hexes (4) + 2mm Wider: 8B, 8T	Rad-Sechskantstücke (4) + 2 mm weiter: 8B,8T	8B, 8T - Hexagone de jantes (4) +2mm	Esagoni ruote (4) 2 mm pi' larghi: 8B, 8T
LOSA3533	Wheel Hexes (4) + 1/2" Wider: 8B, 8T	Rad-Sechskantstücke (4) + 12,7 mm (1/2 Zoll) weiter: 8B, 8T	8B, 8T - Hexagone de jantes (4) +1/2"	Esagoni ruote (4) 1/2" pi' larghi: 8B, 8T
LOSA3554	Center HD Lightened Outdrive Set (2)	Antriebsklauen für Mitteldiff, Leichtbau (2)	Noix de cardans allégées HD (2)	Set trascinatore alleggerito centrale HD (2)

Optional Parts Optionale Bauteile

Pièces optionnelles Pezzi opzionali

Part #	English	Deutsch	Français	Italiano
LOSA3587	Front Center Universal Driveshaft: 8 2.0	Vordere/Mittlere Universalantriebswelle: 8 2.0	8 2.0 - Cardan central avant	Albero di trasmissione centrale anteriore universale: 8 2.0
LOSA3600	Front SmartDiff: 8B 2.0	Front SmartDiff: 8B 2.0	8B 2.0 - SmartDiff avant	Diff. Smart anteriore: 8B 2.0
LOSA3601	Center SmartDiff: 8B 2.0	Mittleres SmartDiff: 8B 2.0	8B 2.0 - SmartDiff central	Diff. Smart centrale: 8B 2.0
LOSA4416	Aluminum Front Chassis Brace: 8B, 8T	Front-Chassis-Strebe (Aluminium): 8B, 8T	8B, 8T - Entretoise de châssis av. alu	Trapezio anteriore in alluminio: 8B, 8T
LOSA4417	Aluminum Rear Chassis Brace: 8B, 8T	Heck-Chassis-Strebe (Aluminium): 8B, 8T	8B, 8T - Entretoise de châssis arr. alu	Trapezio posteriore in alluminio: 8B, 8T
LOSA4440	Front Top Brace, Aluminum: 8B, 8T	Obere Frontstrebe, Aluminium: 8B, 8T	8B, 8T - Entretoise supérieure av., alu	Montante superiore anteriore in alluminio: 8B, 8T
LOSA4444	Split Center Diff Mount, Aluminum: 8B/8T 2.0	Geteilte Center Diff.-Halterung, Aluminium: 8B/8T 2.0	8B/8T 2.0 - Palier de diff. cent., alu	Supporto diff. centrale scomponibile in alluminio: 8B/8T 2.0
LOSA4454	Rear Gearbox Bearing Inserts, Aluminum 8B/8T 2.0	Einsätze f. Heck-Getriebeboxlager, Aluminium 8B/8T 2.0	8B/8T 2.0 - Bague de roulement de diff. arr., alu	Inserti cuscinetti ingranaggio posteriore in alluminio 8B/8T 2.0
LOSA5452	15mm Springs 2.3" x 4.7 Rate, Green: 8B	15mm Federn 2,3 x 4,7 Rate, Grün: 8B	8B - Ressorts 15mm dureté 2,3 x 4,7, vert	Molle 2,3" 15 mm x rigidezza 4,7, verde: 8B
LOSA5457	15mm Springs 3.1" x 2.8 Rate, Silver: 8B	15mm Federn 3,1" x 2,8 Rate, Silber: 8B	8B - Ressorts 15mm dureté 3,1" x 2,8, argent	Molle 3,1" 15 mm x rigidezza 2,8, argento: 8B
LOSA5277	Silicone Diff Fluid, 1000CS	TLR Silikon Diff Öl, 1.000CS	Graisse silicone pour différentiel, 1000CS	Fluido silicone diff, 1000CS
LOSA6140	8IGHT Screw/Nut Assortment Box	8IGHT Schrauben und Muttern im Sortimentskasten	8B - Boite d'assortiment de vis et d'écrous	8IGHT Scatola assortimento viti/dadi
LOSA6540	Turnbuckles 5mmx60mm w/Ends: 8B	Spannschrauben 5 mm x 60 mm mit Endstücken: 8B	8B - Biellettes 5mm x 60mm avec rotules	Tiranti filettati 5 mm x 60 mm con terminali: 8B
LOSA6541	Turnbuckles 5mmx68mm w/Ends: 8B	Spannschrauben 5 mm x 68 mm mit Endstücken: 8B	8B - Biellettes 5mm x 68mm avec rotules	Tiranti filettati 5 mm x 68 mm con terminali: 8B
LOSA6542	Turnbuckles 4mmx60mm w/Ends: 8B	Spannschrauben 4 mm x 60 mm mit Endstücken: 8B	8B - Biellettes 4mm x 60mm avec rotules	Tiranti filettati 4 mm x 60 mm con terminali: 8B
LOSA8131	8IGHT Wing, White: 8B, 8T	8IGHT Flügel, Weiß: 8B, 8T	8B, 8T - Aileron 8IGH, blanc	Alettone 8IGHT, bianco: 8B, 8T
LOSA8132	1/8 Universal Wing Kit, Yellow	Losi: 1/8 Universal Spoiler, Gelb	Aileron 1/8 universel, jaune	1/8 Kit alettone universale, bianco
LOSA9100	8IGHT/T Clutch Rebuild/Service Box	8IGHT/T Kupplungsüberholungs-/Wartungskasten	8IGHT/T - Kit entretien/réparation embrayage	Box manutenzione/ricostruzione frizione 8IGHT/T
LOSA9102	Flywheel & Collet, Steel, 4 Shoe: 8B, 8T	Schwungradscheibe & Zwinge, Stahl, 4 Backen: 8B, 8T	8B, 8T - Volant d'embrayage, acier, 4	Volano e pinza in acciaio, 4 ceppi: 8B, 8T
LOSA9108	Clutch Shoes, Lightened Aluminum (2): 8B, 8T	Kupplungsbacken, Extraleichtes Aluminium (2): 8B, 8T	8B, 8T - Cloche masselottes, allégé alu (2)	Ceppi frizione, alluminio alleggerito (2): 8B, 8T
LOSA9109	Long-Wear Aluminum Clutch Shoes (4): 8B, 8T	Losi Alu Langzeit Kupplungsschuhe (4): 8B, 8T	8B, 8T - Masselottes d'embrayage renforcées aluminium (4)	Ceppi frizione alluminio lunga durata (4): 8B, 8T
LOSA9126	High Endurance Clutch Bell, 13T: 2.0	Losi 8 2.0: High Endurance Kupplungsglocke 13T	8B 2.0 - Cloche d'embrayage renforcée 13T	Campana frizione alta resistenza, 13T: 2.0
LOSA9127	High Endurance Clutch Bell, 14T: 2.0	Losi 8 2.0: High Endurance Kupplungsglocke 14T	8B 2.0 - Cloche d'embrayage renforcée 14T	Campana frizione alta resistenza, 14T: 2.0
LOSA9155	Quick Change Engine Mount Set: 8B, 8T	Motoraufhängung Schnellwechsel-Set: 8B, 8T	8B, 8T - Quick Change support moteur	Set supporto motore per cambio rapido: 8B, 8T
LOSA9156	Quick Change Engine Mount Only: 8B, 8T	Nur Schnellwechsel-Motoraufhängung: 8B, 8T	8B, 8T - Quick Change support moteur seul	Solo supporto motore per cambio rapido: 8B, 8T
LOSA9314	Ultra Fuel Tubing, 5'	Ultra-Kraftstoffleitung, 1,5 m (5 Fuß)	Ultra Fuel Tubing, 5'	Tubo miscela ultra, 5'
LOSA99030	Servo Arm, Aluminum: JR	Servoarm, Aluminium: JR	JR - Palonnier de servo, alu	Squadretta servo, alluminio: JR
LOSA99031	Servo Arm, Aluminum: KO/AIR/SPM	Servoarm, Aluminium: KO/AIR/SPM	KO/AIR - Palonnier de servo, alu	Squadretta servo, alluminio: KO/AIR/SPM
LOSA99032	Servo Arm, Aluminum: FUT	Servoarm, Aluminium: FUT	FUT - Palonnier de servo, alu	Squadretta servo, alluminio: FUT
LOSA99033	Servo Arm, Aluminum: Hitec	Servoarm, Aluminium: Hitec	Hitec - Palonnier de servo, alu	Squadretta servo, alluminio: Hitec
LOSA99070	Speed-Shot Fuel Gun	Losi: Speed-Shot Fuel Gun	Pistolet de remplissage rapide	Pistola riempimento rapido carburante
LOSA99130	8-in-1 Locking Hex Wrench Kit	Losi 8-in-1 Wechseltool	Kit de clés hexagonales 8 en 1	Kit chiavi esagonali 8-in-1
LOSA99166	Losi Exhaust Spring Tool	Krümmfeder Werkzeug	Outil Losi de ressort d'échappement	Chiave tiramolle Losi
LOSA99172	Camber Gauge	Losi Sturzlehre	Jauge de carrossage	Misuratore camber
LOSA99173	Ride Height Gauge	Losi Höhenmesser	Cale de garde au sol	Misuratore altezza da terra
LOSA99174	Car Stand: 8B, 8T	8B, 8T: Fahrzeugständer	8B, 8T - Support de stand	Supporto auto: 8B, 8T
LOSA99176	Precision Tire Balancer with Balancing Clay	Losi Präzisionsreifenwuchtgerät	Équilibreur de pneus 1/8 avec de la pate	Bilanciatore gomme di precisione con pongo
LOSB4106	Hinge Pin Set: 8RTR	8RTR: Hinge Pin Set	8RTR: Axes de suspension en Titane	Perni cerniera: 8RTR
LOSA99041	Metal Servo Arm Insert, 23 Spline, JR (2)	Losi Metall Servohomeinsatz/ 23 Spline/ JR (2)	Insert 23s JR en métal pour bras de servo (2)	Inserto metallico squadretta servo, 23 scanalature, JR (2)
LOSA99042	Metal Servo Arm Insert, 24 Spline, Hitec (2)	Losi Metall Servohomeinsatz/ 24 Spline/ Hitec (2)	Insert 24s Hitec en métal pour bras de servo (2)	Inserto metallico squadretta servo, 24 scanalature, Hitec (2)
LOSA99043	Metal Servo Arm Insert, 25 Spline, Futaba (2)	Losi Metall Servohomeinsatz/ 25 Spline/ Futaba (2)	Insert 25s Futaba en métal pour bras de servo (2)	Metal Servo Arm Insert, 25 Spline, Futaba (2)
LOSB4604	17mm Wheel Wrench: LST2, MUG, 8B, 8T	LST2, MUG, 8B, 8T: 17mm Radschlüssel Alu	LST2, MUG, 8B, 8T: Clé de roue 17mm	17mm chiave ruote: LST2, MUG, 8B, 8T
LOSB5007	Fuel Tank Lid Pull, : 8T 2.0 RTR	Tankaufzieher: 8T 2.0 RTR	8T 2.0 RTR - Ouverture rapide de réservoir	Coperchio a molla per serbatoio: 8T 2.0 RTR
LOSB5012	Fuel Tank Lid Pull, Fluorescent Yellow: 8T 2.0	Tankaufzieher/Fluor Gelb: 8T 2.0	8T 2.0 - Ouverture rapide de réservoir jaune	Serbatoio con tappo a molla, giallo fluorescente: 8T 2.0
LOSF0430	Nitrotane Race 30%, Quart	Nitro Kraftstoff für Rennmotor 30%	Carburant Nitrométhane à 30%, Quart	Miscela da gara Nitrotane 30%, Quart
SPM6400	DX6R 6-Channel DSMR Smart Radio System WiFi/BT	Spektrum DX6R 6-Kanal Surface-Sender m. BLE-Connectivity	Émetteur 6 voies DX6R DSMR avec connexion WiFi/Bluetooth	Sistema radio Smart DX6R DSMR 6 canali WiFi/BT
TLR3500	F/R CV Driveshaft Axles (4): Aluminum 8B, 8T 2.0	F/H Gleichlaufgelenkwellen (4): Aluminium 8B, 8T 2.0	8B, 8T 2.0 - Axes de roue de cardan CVD av/arr, Alu (4)	Assi trasmissione ant./post.CV (4): alluminio 8B, 8T 2.0
TLR3501	Differential Shaft Set, Aluminum (6): 8B, 8T 2.0	Diff. Achskreuz, Aluminium (6): 8B, 8T 2.0	8B, 8T 2.0 - Axe de maintien de satellites de diff., aluminium (6)	Albero differenziale, alluminio (6): 8B, 8T 2.0
TLR3538	Covered 17mm Wheel Nuts, Alum: 8B/8T 2.0	Verkleidete 17 mm Radmuttern, Alum.: 8B/8T 2.0	8B/8T 2.0 - Écrou de roue fermé 17mm en aluminium	Dadi ruote 17 mm coperti in alluminio: 8B/8T 2.0
TLR5276	8IGHT/T Diff Fluid Refill Kit, 2K, 5K, 7K Silicone	8IGHT/T Diff.-Flüssigkeit-Nachfüll-Kit, 2K, 5K, 7K Silikon	8IGHT/T - Kit de remplissage des diff., silicone 2K, 5K et 7K	Kit ricarica olio al silicone per differenziale 8IGHT/T, 2K, 5K, 7K
TLR5277	Silicone Diff Fluid, 1000CS	Silikon Diff.-Flüssigkeit, 1000CS	Graisse silicone de diff., 1000CS	Olio al silicone per differenziale, 1000CS
TLR5278	Silicone Diff Fluid, 2000CS	Silikon Diff.-Flüssigkeit, 2000CS	Graisse silicone de diff., 2000CS	Olio al silicone per differenziale, 2000CS
TLR5279	Silicone Diff Fluid, 3000CS	Silikon Diff.-Flüssigkeit, 3000CS	Graisse silicone de diff., 3000CS	Olio al silicone per differenziale, 3000CS
TLR5280	Silicone Diff Fluid, 5000CS	Silikon Diff.-Flüssigkeit, 5000CS	Graisse silicone de diff., 5000CS	Olio al silicone per differenziale, 5000CS
TLR5281	Silicone Diff Fluid, 7000CS	Silikon Diff.-Flüssigkeit, 7000CS	Graisse silicone de diff., 7000CS	Olio al silicone per differenziale, 7000CS
TLR5282	Silicone Diff Fluid, 10,000CS	Silikon Diff.-Flüssigkeit, 10.000CS	Graisse silicone de diff. 10 000 CS	Olio al silicone per differenziale 10.000CS
TLR5283	Silicone Diff Fluid, 15,000CS	Silikon Diff.-Flüssigkeit, 15.000CS	Graisse silicone de diff., 15 000 CS	Olio al silicone per differenziale, 15.000CS
TLR5284	Silicone Diff Fluid, 20,000CS	Silikon Diff.-Flüssigkeit, 20.000CS	Graisse silicone de diff., 20 000 CS	Olio al silicone per differenziale, 20.000CS
TLR5285	Silicone Diff Fluid, 30,000CS	Silikon Diff.-Flüssigkeit, 30.000CS	Graisse silicone de diff., 30 000 CS	Olio al silicone per differenziale, 30.000CS
TLR5286	Silicone Diff Fluid, 50,000CS	Silikon Diff.-Flüssigkeit, 50.000CS	Graisse silicone de diff., 50 000 CS	Olio al silicone per differenziale, 50.000CS
TLR5288	Silicone Diff Fluid, 125,000CS	Silikon Diff.-Flüssigkeit, 125.000CS	Graisse silicone de diff., 125 000 CS	Olio al silicone per differenziale, 125.000CS
TLR6019	Ballstud/Hub Spacer Set, Aluminum: 22	Distanzringe für Kugelkopf, Aluminium: 22	22 - Rondelles d'espacement, aluminium	Rondelle hub, alluminio: 22
TLR240000	Body Set, Clear: 8 3.0	Karosserie Set, Klar: 8 3.0	8B 3.0 - Carrosserie	Set carrozzeria, trasparente: 8 3.0
TLR240001	Wing, Black 8IGHT Buggy 3.0	Flügel, Black 8IGHT Buggy 3.0	8IGHT Buggy 3.0 - Aileron noir	Alettone, nero 8IGHT Buggy 3.0

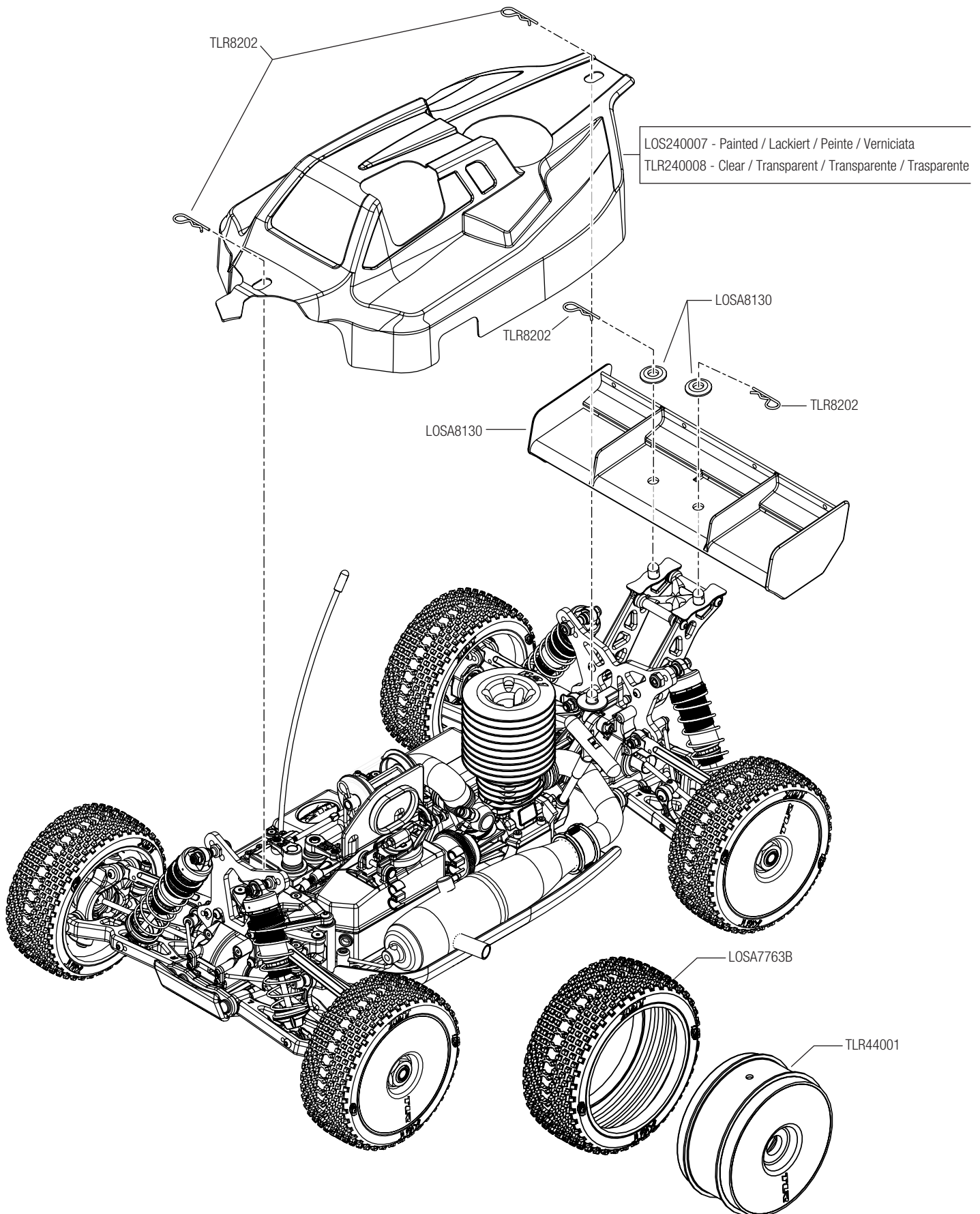
Optional Parts Optionale Bauteile

Pièces optionnelles Pezzi opzionali

Part #	English	Deutsch	Français	Italiano
TLR240002	Wing, White 8IGHT 3.0	Flügel, Weiß 8IGHT 3.0	8B 3.0 - Aileron blanc	Alettone, bianco, 8IGHT 3.0
TLR240003	Wickerbill Set (2): 8IGHT Buggy 3.0	Wickerbill Set (2): 8IGHT Buggy 3.0	8B 3.0 - Jeu de rajouts d'aileron (2)	Set profilo alare (2): 8IGHT Buggy 3.0
TLR241000	Chassis: 8IGHT Buggy 3.0	Chassis: 8IGHT Buggy 3.0	8B 3.0 - Châssis	Telaio: 8IGHT Buggy 3.0
TLR242003	Coupler Outdrive (2): 8B 3.0	TLR 8ight 3.0: Kupplungsstück für Antriebsklaue (2)	8B 3.0 - Noix d'accouplement de cardan (2)	Accoppiatore trascinatore (2): 8B 3.0
TLR242004	Wheel Hexes, +1mm Wider (4): 8IGHT Buggy 3.0	Rad-Sechskantsücke +1 mm weiter (4): 8IGHT Buggy 3.0	8B 3.0 - Hexagones de roues, +1mm de large (4)	Esagone ruote, 1 mm pi' larghi (4): 8IGHT Buggy 3.0
TLR242005	Brake Caliper Springs (4): 8B 3.0	TLR 8ight 3.0: Druckfeder für Bremsplatten (4)	8B 3.0 - Ressorts de mâchoires de freins	Molle pinza freno (4): 8B 3.0
TLR243022	16mm FR Shock Set, Complete: 8B 3.0	16mm FR Stoßdämpfer Set, vollständig: 8B 3.0	8B 3.0 - Amortisseur avant complet 16mm	Set ammortizzatore anteriore 16 mm, completo: 8B 3.0
TLR243022	16mm RR Shock Set, Complete: 8B 3.0	16mm RR Stoßdämpfer Set, vollständig: 8B 3.0	8B 3.0 - Amortisseur arrière complet 16mm	Set ammortizzatore posteriore 16 mm, completo: 8B 3.0
TLR244002	Front Shock Tower: 8IGHT Buggy 3.0	Front Stoßdämpferbrücke: 8IGHT Buggy 3.0	8B 3.0 - Support d'amortisseurs avant	Torre ammortizzatore anteriore: 8IGHT Buggy 3.0
TLR244009	Rear Shock Tower: 8IGHT Buggy 3.0	Heck Stoßdämpferbrücke: 8IGHT Buggy 3.0	8B 3.0 - Support d'amortisseurs arrière	Torre ammortizzatore posteriore: 8IGHT Buggy 3.0
TLR244021	Servo Saver Top, Aluminum: All 8IGHT/T	Servosaver-Oberteil, Aluminium: All 8IGHT/T	8IGHT/T - Palonnier supérieur de sauve servo en alu	Snodo salvaservo in alluminio: tutte le 8IGHT/T
TLR249000	8IGHT 3.0 Buggy Logo Sticker Sheet	8IGHT 3.0 Buggy Logo-Aufkleberbogen	8B 3.0 - Plaque de décoration	Foglio adesivi con logo 8IGHT 3.0 Buggy
TLR340001	Cab Forward Body, Clear: 8IGHT 3.0	Kabine, vordere Karosserie, klar: 8IGHT 3.0	8IGHT 3.0 - Carrosserie "Cab Forward", transparente	Carrozzeria Cab-Forward, trasparente: 8IGHT 3.0
TLR341001	Brass Weight System, 20g, 40g: 8T 3.0	TLR Messing Gewichts-System 20g,40g, 8T 3.0	8T 3.0 - Masselottes d'équilibrage, 20g, 40g	Sistema pesi, 20g, 40g: 8T 3.0
TLR344001	Aluminum Front Spindle Set: 8IGHT/T/E 3.0	Hauptspindel Set, Aluminium: 8IGHT/T/E 3.0	8IGHT/T/E 3.0 - Fusées avant en aluminium	Fusello anteriore in alluminio: 8IGHT/T/E 3.0
TLR3538BL	Covered 17mm Wheel Nuts, Alum, Black: 8/T 2.0	Verkleidete 17 mm Radmuttern, Alum., Schwarz: 8/T 2.0	8B/8T 2.0 - Écrou de roue fermé 17mm en alum, noir	Dadi ruote 17 mm coperti in alluminio, nero: 8/T 2.0
TLR440000	1/8 Buggy Dish Wheel, Yellow (4): 8IGHT Buggy 3.0	1/8 Buggy Tellerscheibe, Gelb (4): 8IGHT Buggy 3.0	8B 3.0 - Jantes pleines Buggy, jaunes (4)	Cerchioni buggy 1/8, giallo, (4): 8IGHT Buggy 3.0
TLR70000	Twist Lock Glow Igniter	Twistlock Glühzünder	Chaufe bougie à verrouillage rotatif	Accendicandela
TLR70001	Twist Lock Glow Igniter and Charger Combo	Twistlock Glühzünder- und Ladeaggregat-Kombi	Combo chauffe bougie à verrouillage rotatif et chargeur	Accendicandela con aggancio, con caricatore
TLR74000	Silicone Shock Oil, 15wt, 2oz	Silikon-Stoßdämpferöl, 15 wt, 60 ml (2 oz)	Huile silicone d'amortisseur, 15wt, 60 ml	Olio al silicone per ammortizzatore, 15wt, 2oz
TLR74001	Silicone Shock Oil, 17.5wt, 2oz	Silikon-Stoßdämpferöl, 17,5 wt, 60 ml (2 oz)	Huile silicone d'amortisseur, 17.5wt, 60 ml	Olio al silicone per ammortizzatore, 17.5wt, 2oz
TLR74002	Silicone Shock Oil, 20 wt, 2oz	Silikon-Stoßdämpferöl, 20 wt, 60 ml (2 oz)	Huile silicone d'amortisseur, 20wt, 60 ml	Olio al silicone per ammortizzatore, 20 wt, 2oz
TLR74003	Silicone Shock Oil, 22.5wt, 2oz	Silikon-Stoßdämpferöl, 22,5 wt, 60 ml (2 oz)	Huile silicone d'amortisseur, 22.5wt, 60 ml	Olio al silicone per ammortizzatore, 22.5wt, 2oz
TLR74004	Silicone Shock Oil, 25wt, 2oz	Silikon-Stoßdämpferöl, 25 wt, 60 ml (2 oz)	Huile silicone d'amortisseur, 25wt, 60 ml	Olio al silicone per ammortizzatore, 25wt, 2oz
TLR74005	Silicone Shock Oil, 27.5wt, 2oz	Silikon-Stoßdämpferöl, 27 wt, 60 ml (2 oz)	Huile silicone d'amortisseur, 27.5wt, 60 ml	Olio al silicone per ammortizzatore, 27.5wt, 2oz
TLR74006	Silicone Shock Oil, 30wt, 2oz	Silikon-Stoßdämpferöl, 30 wt, 60 ml (2 oz)	Huile silicone d'amortisseur, 30wt, 60 ml	Olio al silicone per ammortizzatore, 30wt, 2oz
TLR74007	Silicone Shock Oil, 32.5wt, 2oz	Silikon-Stoßdämpferöl, 32 wt, 60 ml (2 oz)	Huile silicone d'amortisseur, 32.5wt, 60 ml	Olio al silicone per ammortizzatore, 32.5wt, 2oz
TLR74008	Silicone Shock Oil, 35wt, 2oz	Silikon-Stoßdämpferöl, 35 wt, 60 ml (2 oz)	Huile silicone d'amortisseur, 35wt, 60 ml	Olio al silicone per ammortizzatore, 35wt, 2oz
TLR74009	Silicone Shock Oil, 37.5wt, 2oz	Silikon-Stoßdämpferöl, 37 wt, 60 ml (2 oz)	Huile silicone d'amortisseur, 37.5wt, 60 ml	Olio al silicone per ammortizzatore, 37.5wt, 2oz
TLR74010	Silicone Shock Oil, 40wt, 2oz	Silikon-Stoßdämpferöl, 40 wt, 60 ml (2 oz)	Huile silicone d'amortisseur, 40wt, 60 ml	Olio al silicone per ammortizzatore, 40wt, 2oz
TLR74011	Silicone Shock Oil, 42.5wt, 2oz	Silikon-Stoßdämpferöl, 42,5 wt, 60 ml (2 oz)	Huile silicone d'amortisseur, 42.5wt, 60 ml	Olio al silicone per ammortizzatore, 42.5wt, 2oz
TLR74012	Silicone Shock Oil, 45wt, 2oz	Silikon-Stoßdämpferöl, 45 wt, 60 ml (2 oz)	Huile silicone d'amortisseur, 45wt, 60 ml	Olio al silicone per ammortizzatore, 45wt, 2oz
TLR74013	Silicone Shock Oil, 50wt, 2oz	Silikon-Stoßdämpferöl, 50 wt, 60 ml (2 oz)	Huile silicone d'amortisseur, 50wt, 60 ml	Olio al silicone per ammortizzatore, 50wt, 2oz
TLR74014	Silicone Shock Oil, 60wt, 2oz	Silikon-Stoßdämpferöl, 60 wt, 60 ml (2 oz)	Huile silicone d'amortisseur, 60wt, 60 ml	Olio al silicone per ammortizzatore, 60wt, 2oz
TLR74015	Silicone Shock Oil, 70wt, 2oz	Silikon-Stoßdämpferöl, 70 wt, 60 ml (2 oz)	Huile silicone d'amortisseur, 70wt, 60 ml	Olio al silicone per ammortizzatore, 70wt, 2oz
TLR74016	Silicone Shock Oil, 80wt, 2oz	Silikon-Stoßdämpferöl, 80 wt, 60 ml (2 oz)	Huile silicone d'amortisseur, 80wt, 60 ml	Olio al silicone per ammortizzatore, 80wt, 2oz
TLR74017	Silicone Shock Oil, 90wt, 2oz	Silikon-Stoßdämpferöl, 90 wt, 60 ml (2 oz)	Huile silicone d'amortisseur, 90wt, 60 ml	Olio al silicone per ammortizzatore, 90wt, 2oz
TLR74018	Silicone Shock Oil, 100wt, 2oz	Silikon-Stoßdämpferöl, 100 wt, 60 ml (2 oz)	Huile silicone d'amortisseur, 100wt, 60 ml	Olio al silicone per ammortizzatore, 100wt, 2oz
TLR74019	Shock Oil 6Pk, 17.5,22.5,27.5,32.5,37.5, 42.5 2oz	Stoßdämpferöl 6 Pk, 17,5, 22,5, 27,5, 32,5, 37,5, 42,5, 60 ml (2 oz)	Assortiment de 6 flacons d'huile silicone d'amortisseur 17.5, 22.5, 27.5, 32.5, 37.5, 42.5 en 60ml	Olio ammortizzatore 6Pk, 17.5,22.5,27.5,32.5,37.5, 42.5 2oz
TLR74020	Shock Oil 6Pk, 20,25,30,35,40,45, 2oz	Stoßdämpferöl 6Pk, 20, 25, 30, 35, 40, 45, 60 ml (2 oz)	Assortiment de 6 flacons d'huile silicone d'amortisseur 20, 25, 30, 35, 40, 45 en 60ml	Olio ammortizzatore 6Pk, 20,25,30,35,40,45, 2oz
TLR74021	Shock Oil 6Pk, 50,60,70,80,90,100, 2oz	Stoßdämpferöl 6Pk, 50, 60, 70, 80, 90, 100, 60 ml (2 oz)	Assortiment de 6 flacons d'huile silicone d'amortisseur 50, 60, 70, 80, 90, 100 en 60ml	Olio ammortizzatore 6Pk, 50,60,70,80,90,100, 2oz
TLR74022	Silicone Shock Oil, 25wt, 4oz	Silikon-Stoßdämpferöl, 25 wt, 118 ml (4 oz)	Huile silicone d'amortisseur, 25wt, 120 ml	Olio al silicone per ammortizzatore, 25wt, 4oz
TLR74023	Silicone Shock Oil, 30 wt, 4oz	Silikon-Stoßdämpferöl, 30 wt, 118 ml (4 oz)	Huile silicone d'amortisseur, 30wt, 120 ml	Olio al silicone per ammortizzatore, 30 wt, 4oz
TLR74024	Silicone Shock Oil, 35wt, 4oz	Silikon-Stoßdämpferöl, 35 wt, 118 ml (4 oz)	Huile silicone d'amortisseur, 35wt, 120 ml	Olio al silicone per ammortizzatore, 35wt, 4oz
TLR74025	Silicone Shock Oil, 40wt, 4oz	Silikon-Stoßdämpferöl, 40 wt, 118 ml (4 oz)	Huile silicone d'amortisseur, 40wt, 120 ml	Olio al silicone per ammortizzatore, 40wt, 4oz
TLR74026	Silicone Shock Oil, 45wt, 4oz	Silikon-Stoßdämpferöl, 45 wt, 118 ml (4 oz)	Huile silicone d'amortisseur, 45wt, 120 ml	Olio al silicone per ammortizzatore, 45wt, 4oz
TLR74027	Silicone Shock Oil, 50wt, 4oz	Silikon-Stoßdämpferöl, 50 wt, 118 ml (4 oz)	Huile silicone d'amortisseur, 50wt, 120 ml	Olio al silicone per ammortizzatore, 50wt, 4oz
TLR74028	Silicone Shock Oil, 27.5wt, 4oz	Silikon-Stoßdämpferöl, 27 wt, 118 ml (4 oz)	Huile silicone d'amortisseur, 27.5wt, 120 ml	Olio al silicone per ammortizzatore, 27.5wt, 4oz
TLR74029	Silicone Shock Oil, 32.5wt, 4oz	Silikon-Stoßdämpferöl, 32 wt, 118 ml (4 oz)	Huile silicone d'amortisseur, 32.5wt, 120 ml	Olio al silicone per ammortizzatore, 32.5wt, 4oz
TLR74030	Silicone Shock Oil, 37.5wt, 4oz	Silikon-Stoßdämpferöl, 37 wt, 118 ml (4 oz)	Huile silicone d'amortisseur, 37.5wt, 120 ml	Olio al silicone per ammortizzatore, 37.5wt, 4oz
TLR76000	Tire Glue, Standard	Reifenkleber, Standard	Colle à pneus, standard	Colla gomma, standard
TLR76001	Tire Glue, Thin	Reifenkleber, Dünn	Colle à pneus, fine	Colla gomma, fluida
TLR76002	Off-Road Tire Gluing Kit	Offroad Reifenklebeset	Kit de collage de pneus TT	Kit incollaggio gomma fuoristrada
TLR76004	TLR Lok, Threadlock, Blue	TLR Lok, Schraubensicherung, Blau	Frein filet TLR Lok, bleu	TLR Lok, frenafilietti, blu
TLR77000	High-Pressure Black Grease, 8cc	High-Pressure Fett Schwarz/8cc	Graisse haute pression noire, 8cc	Grasso alta pressione nero, 8cc
TLR77002	Shock O-Ring Grease, 8cc	Fett 8cc O-Ring	Graisse pour joints toriques, 8cc	Grasso o-ring ammort., 8cc
TLR8300	TLR Sticker Sheet	TLR-Aufkleberbogen	TLR - Plaque de décoration	Foglio adesivi con TLR
TLR9101	Prebuilt Clutch, 4 Shoe, HA Alum: 8B, 8T	Vorgefertigte Kupplung, 4 Backen, HA Alum.: 8B, 8T	8B, 8T - Embrayage pré-monté 4 mâchoires en alu.	Frizione premontata, 4 ceppi, alluminio anodizzato: 8B, 8T
TLR9102	Prebuilt Clutch, 4 Shoe, Steel: 8B, 8T	Vorgefertigte Kupplung, 4 Backen, Stahl.: 8B, 8T	8B, 8T - Embrayage pré-monté 4 mâchoires en acier	Frizione premontata, 4 ceppi, acciaio: 8B, 8T
TLR99004	TLR Embroidered Cargo Bag	TLR Tasche	Sac de transport TLR	Borsa ricamata TLR
TLR99013	TLR Pit Mat, Large	TLR Pit-Matte, groß	Protection de stand TLR, Large	Tappeto per manutenzione TLR, grande
TLR99014	TLR Foam Pit Mat	TLR Schaumstoff-Pit-Matte	Tapis de stand en mousse TLR	Tappeto per manutenzione TLR in spugna
TLR99101	Shock Shaft Pliers	TLR Zange für Dämpferkolbenstange	Pince à tige d'amortisseur	Pinze albero ammortizzatore
TLR99102	Turnbuckle Wrench, 22, 8B, 8T	TLR Stellschlüssel für Gewindestift, 22, 8B, 8T	22, 8B, 8T - Clé à biellettes	Chiave per tenditore, 22, 8B, 8T
TLR99059	8IGHT/8IGHT-T 3.0/4.0 Starter Box	8IGHT/8IGHT-T 3.0/4.0 Starterkasten	8IGHT/8IGHT-T 3.0/4.0 - Caisse de démarrage	Cassetta avviamento 8IGHT/8IGHT-T 3.0/4.0

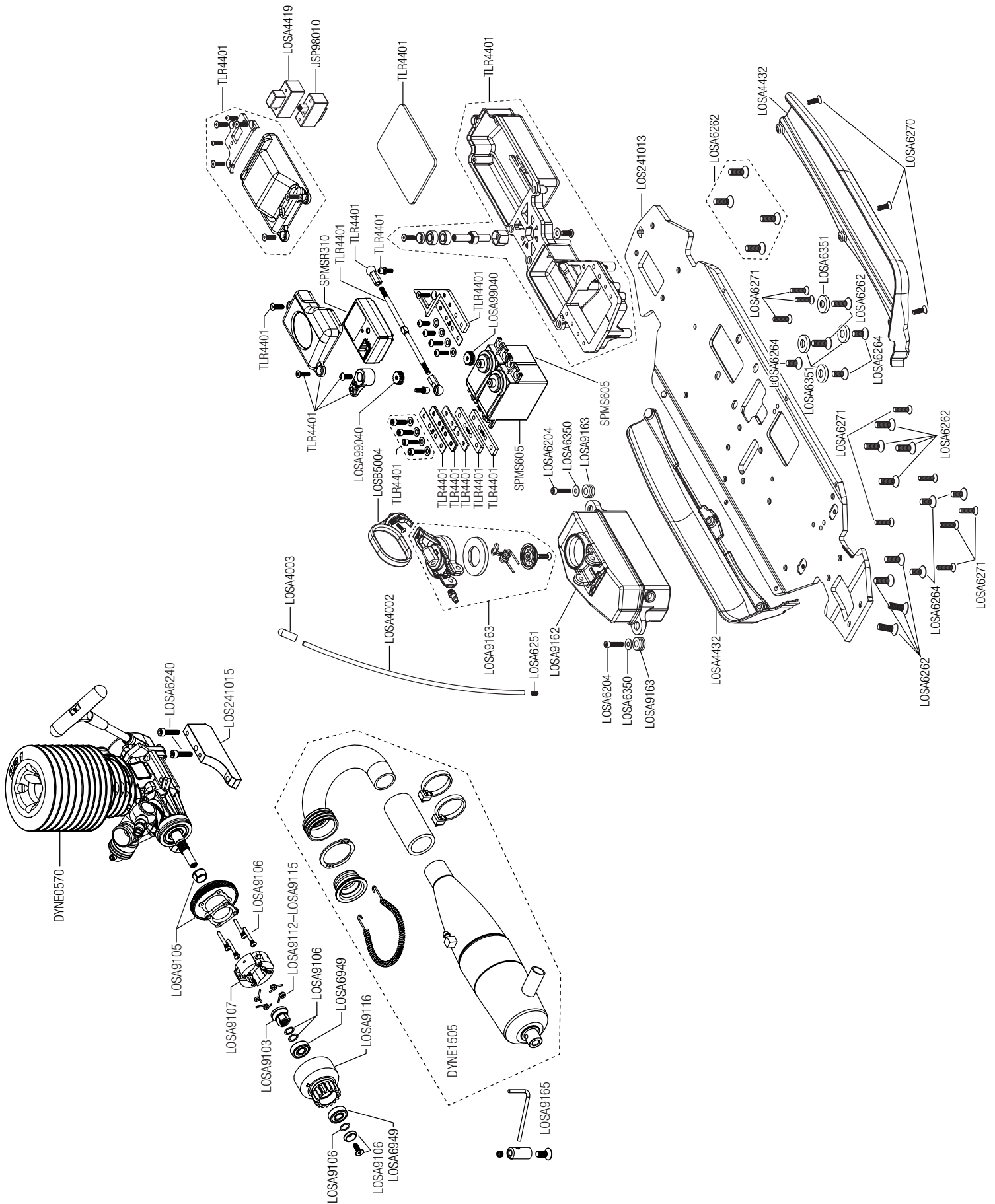
Buggy Exploded View Buggy Explosionsansicht

Vue éclatée du Buggy Esploso del buggy



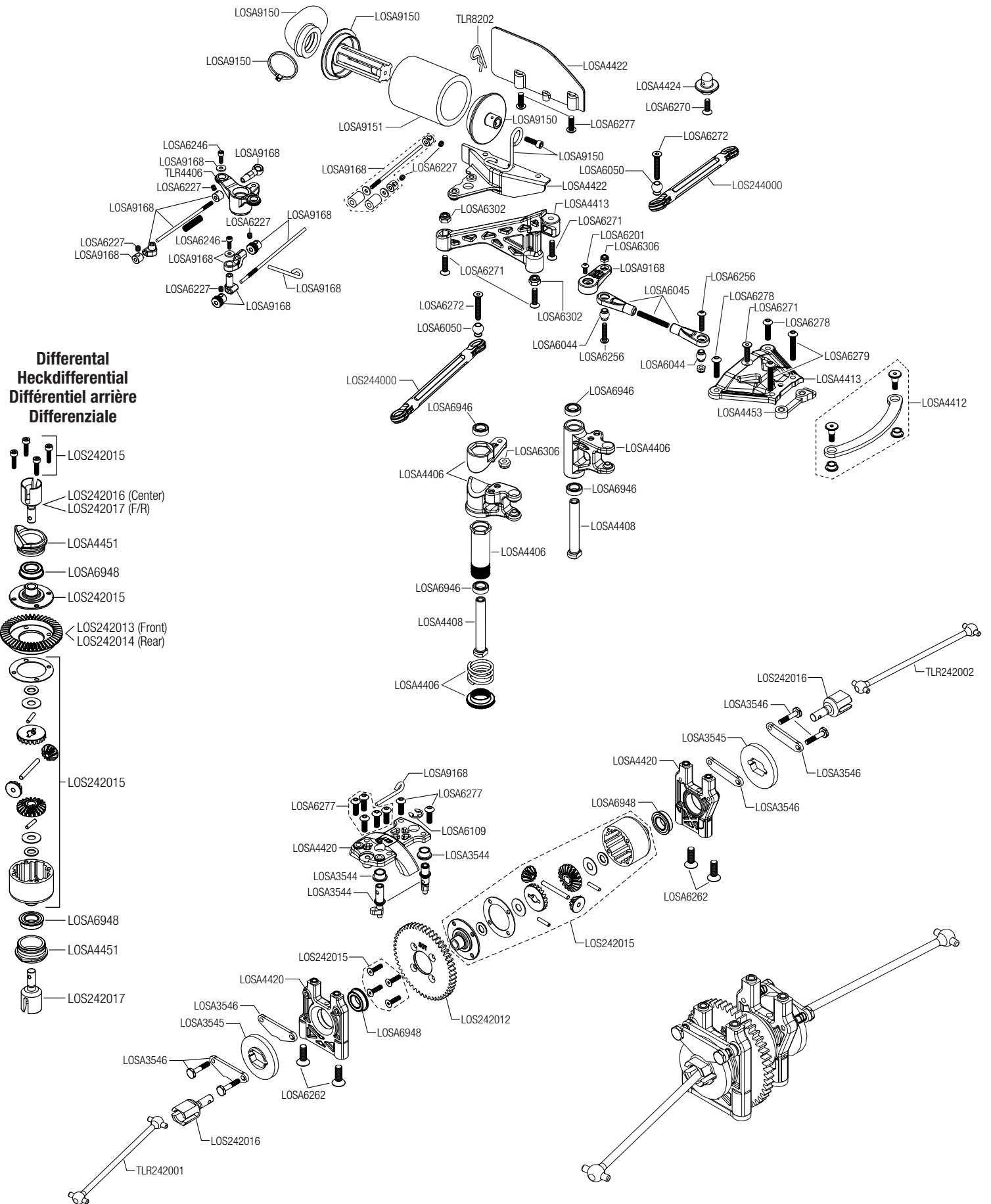
Buggy Exploded View Buggy Explosionsansicht

Vue éclatée du Buggy Esploso del buggy



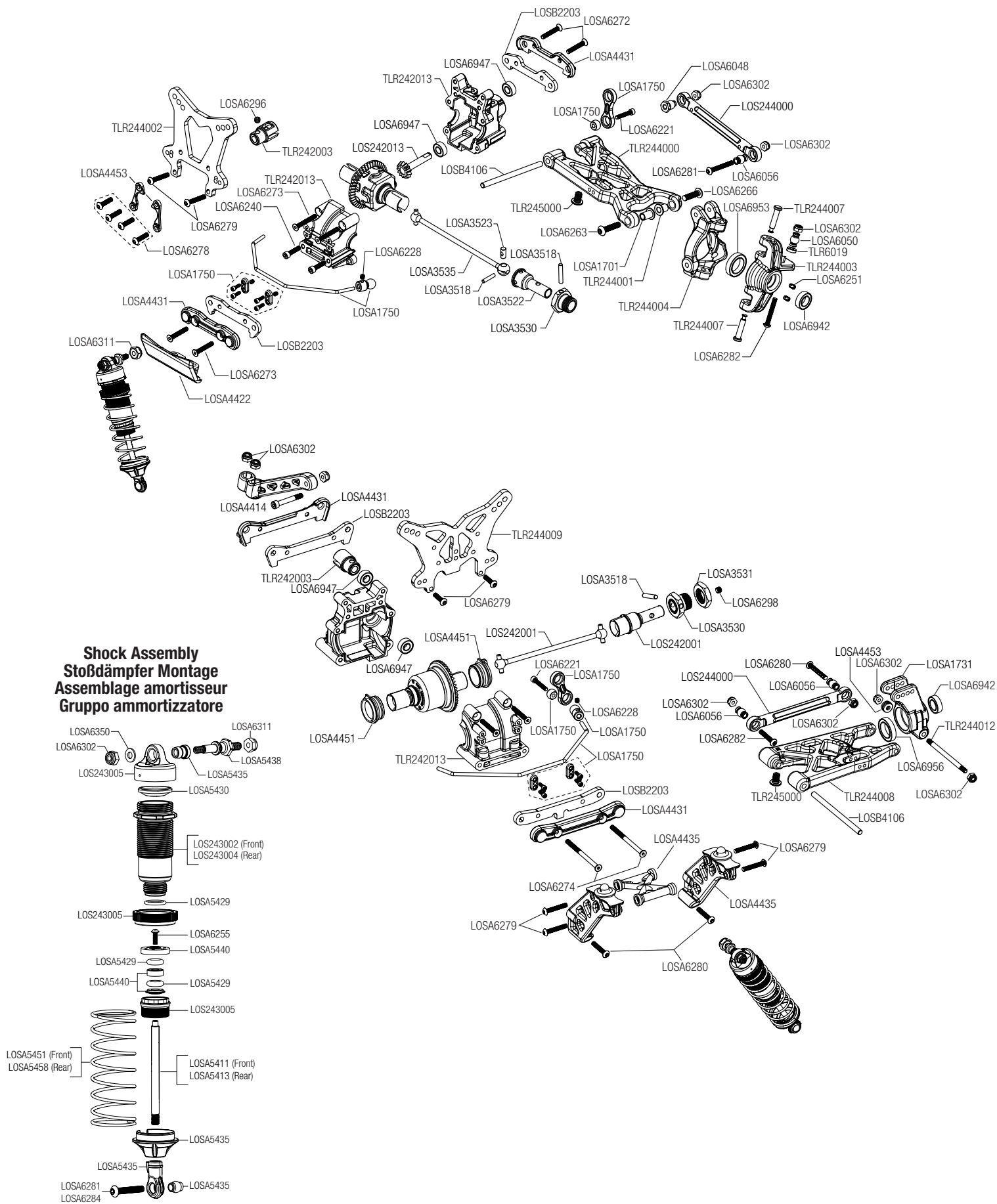
Buggy Exploded View Buggy Explosionsansicht

Vue éclatée du Buggy Esploso del buggy



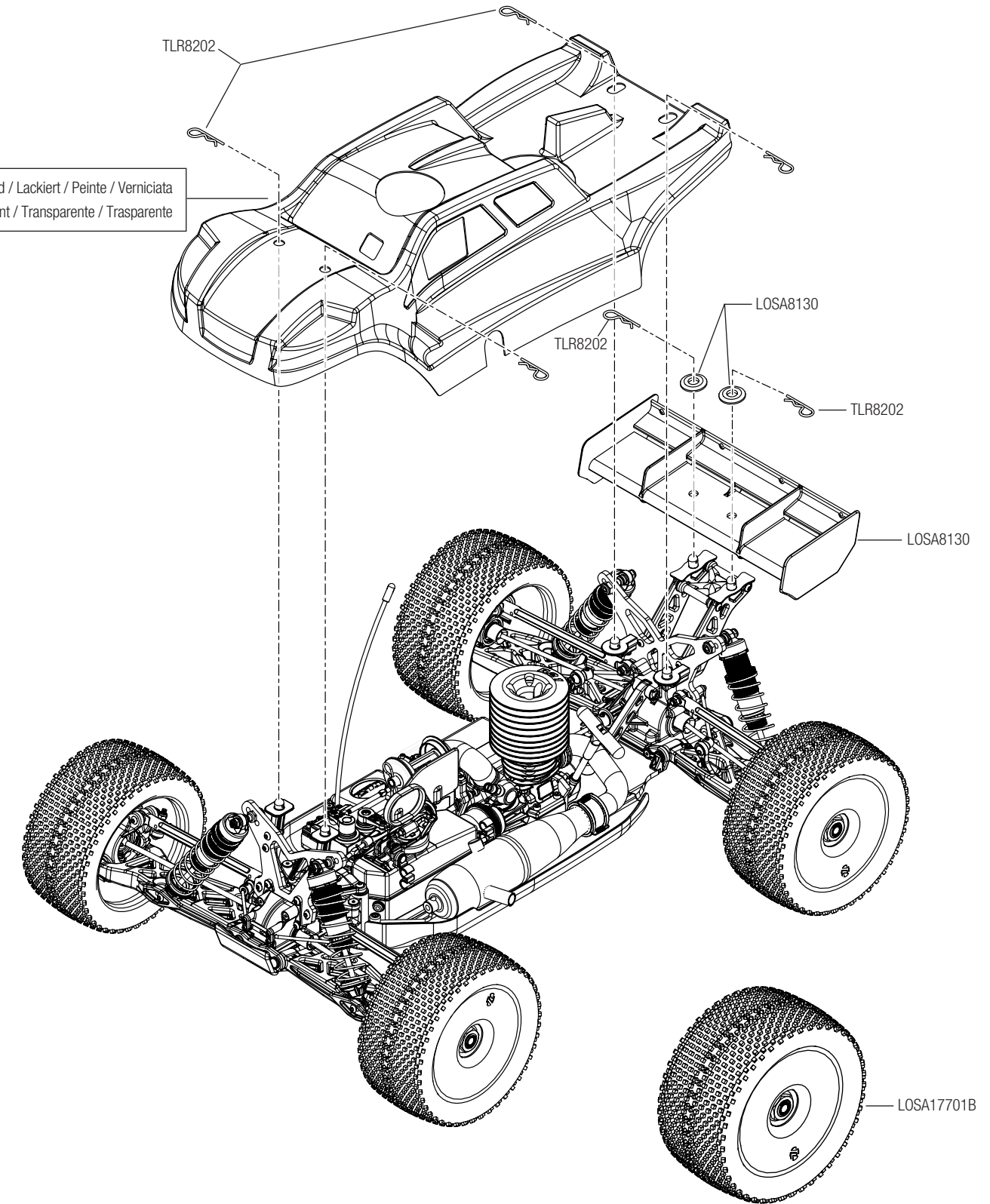
Buggy Exploded View Buggy Explosionsansicht

Vue éclatée du Buggy Esploso del buggy



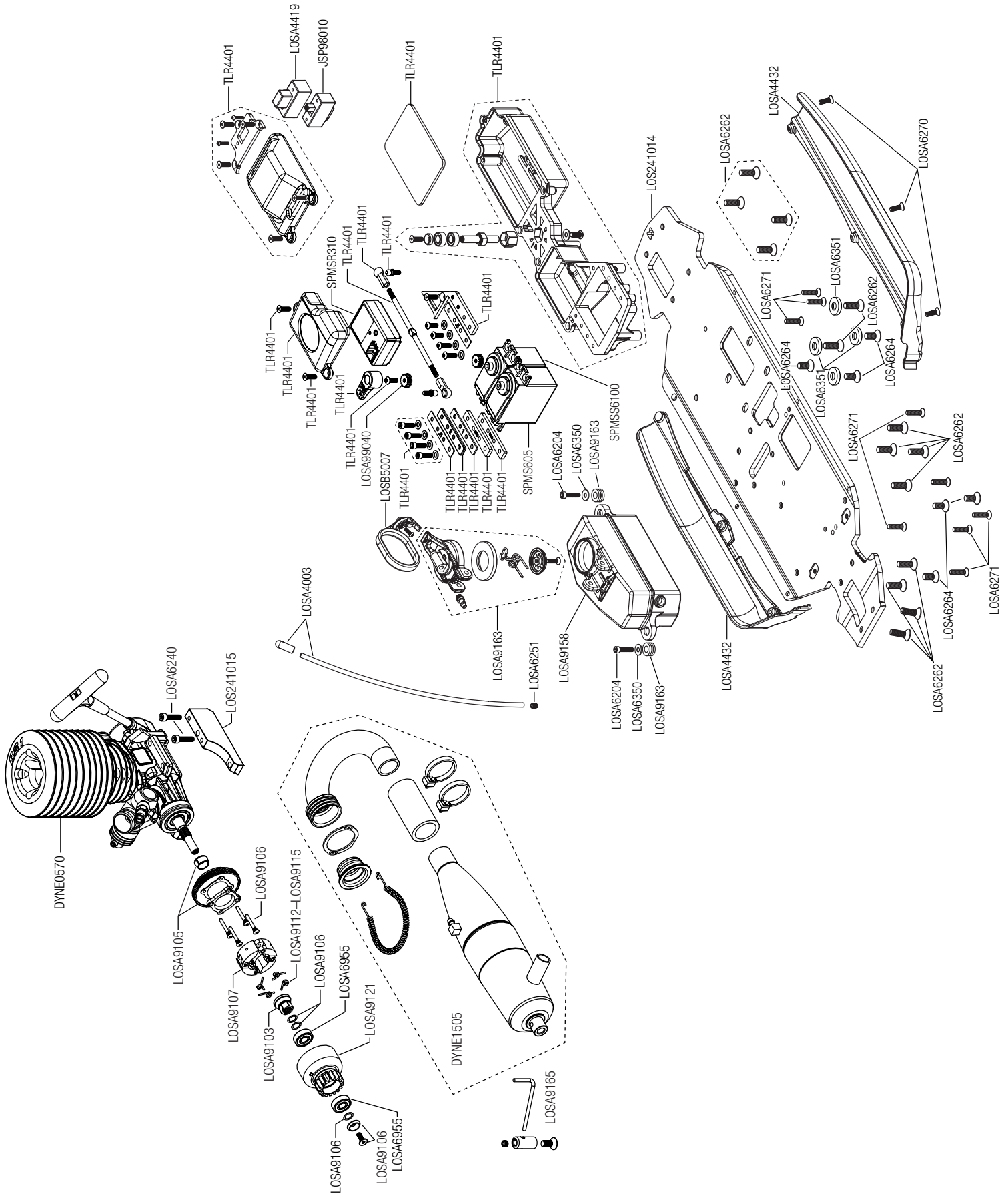
Truggy Exploded View

Vue éclatée du Truggy



Truggy Exploded View
Truggy Explosionsansicht

Vue éclatée du Truggy
Esploso del truggy

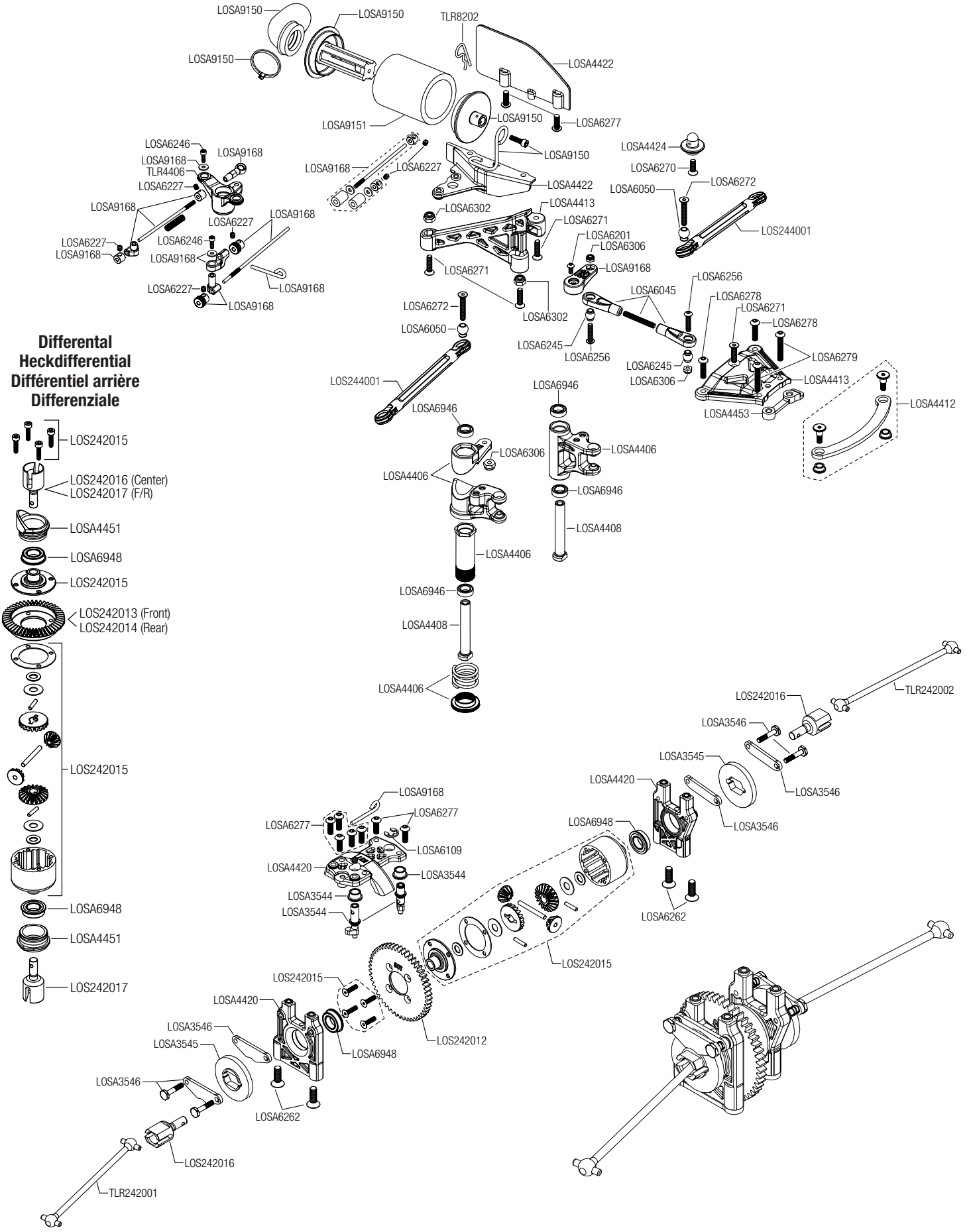


Truggy Exploded View

Vue éclatée du Truggy

Truggy Explosionsansicht

Esploso del truggy



Differential Heckdifferential Différentiel arrière Differenziale

- LOS242015
- LOS242016 (Center)
LOS242017 (F/R)
- LOSA4451
- LOSA6948
- LOS242015
- LOS242013 (Front)
LOS242014 (Rear)
- LOS242015
- LOSA6948
- LOSA4451
- LOS242017

- LOSA3546
- LOSA3545
- LOSA3546
- LOS242016
- TLR242001

Truggy Exploded View Vue éclatée du Truggy

Truggy Explosionsansicht Esploso del truggy

